

# Broil King®

---

---

## Broil King

REGAL 590  
9982-82  
9982-83



## Broil King

REGAL S 590  
9983-42  
9983-43  
9983-46  
9983-82  
9983-83  
9983-86

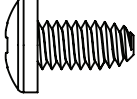
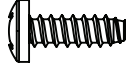
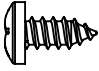
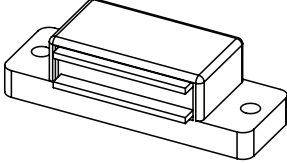
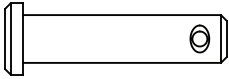
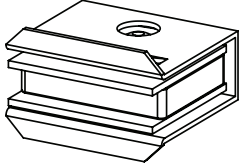
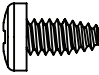
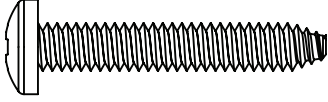
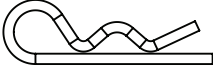
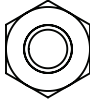
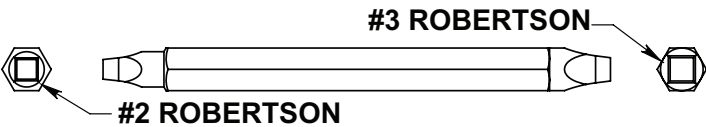


---

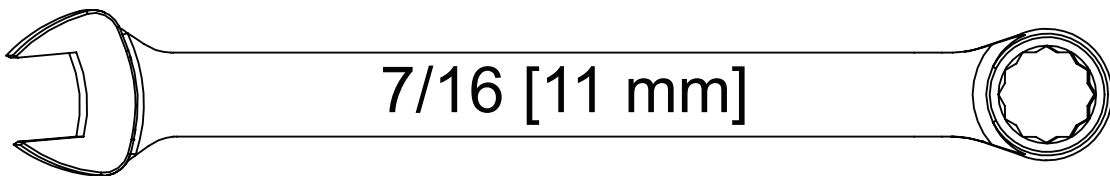
---

*Onward*  
MANUFACTURING COMPANY  
SINCE 1906  
585 KUMPF DRIVE LIMITED  
WATERLOO, ONTARIO, CANADA  
N2V 1K3

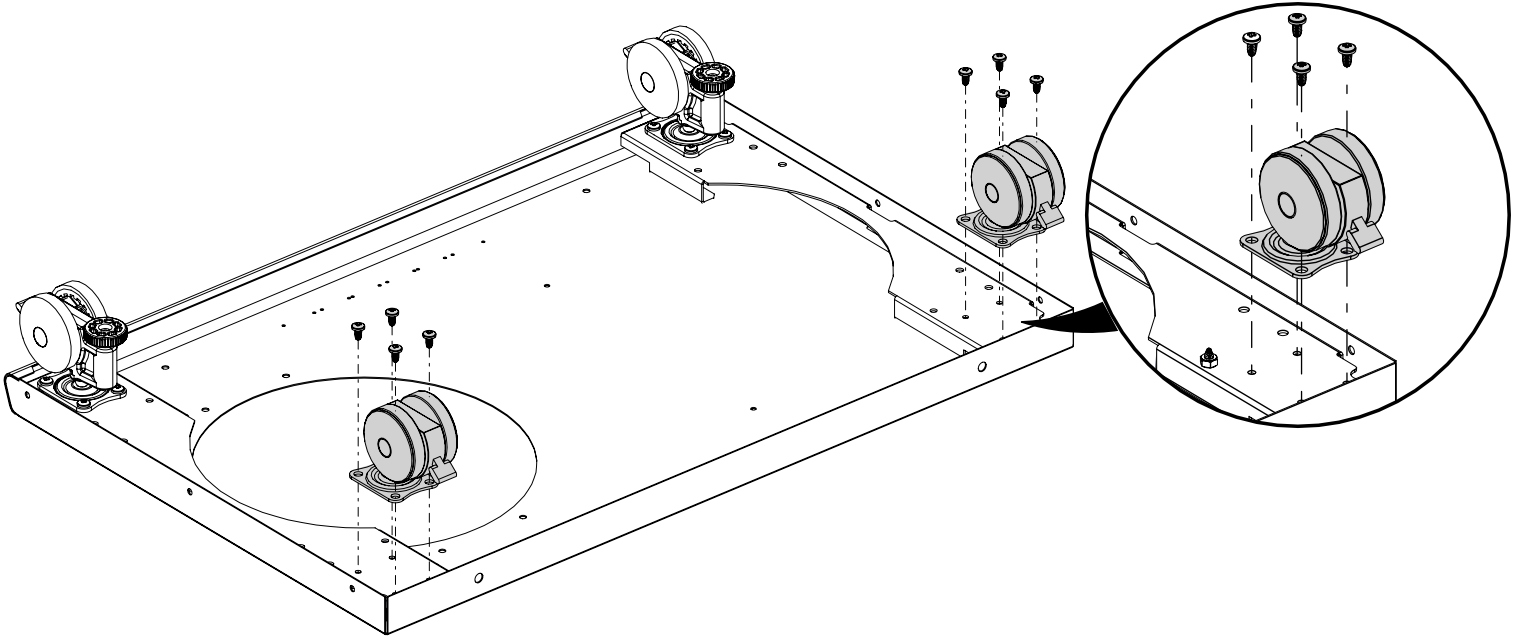
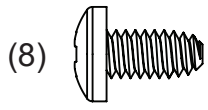
## HARDWARE INCLUDED

Y-12865		(26)	S21124		(8)
S21125		(4)	Y-12222		(2)
S21235		(2)	Y-12223		(2)
Y-29304		(6)	Y-11560		(4)
S21233		(2)	Y-11793		(8)
					

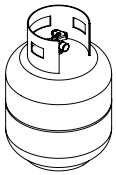
## TOOLS REQUIRED



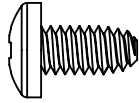
1



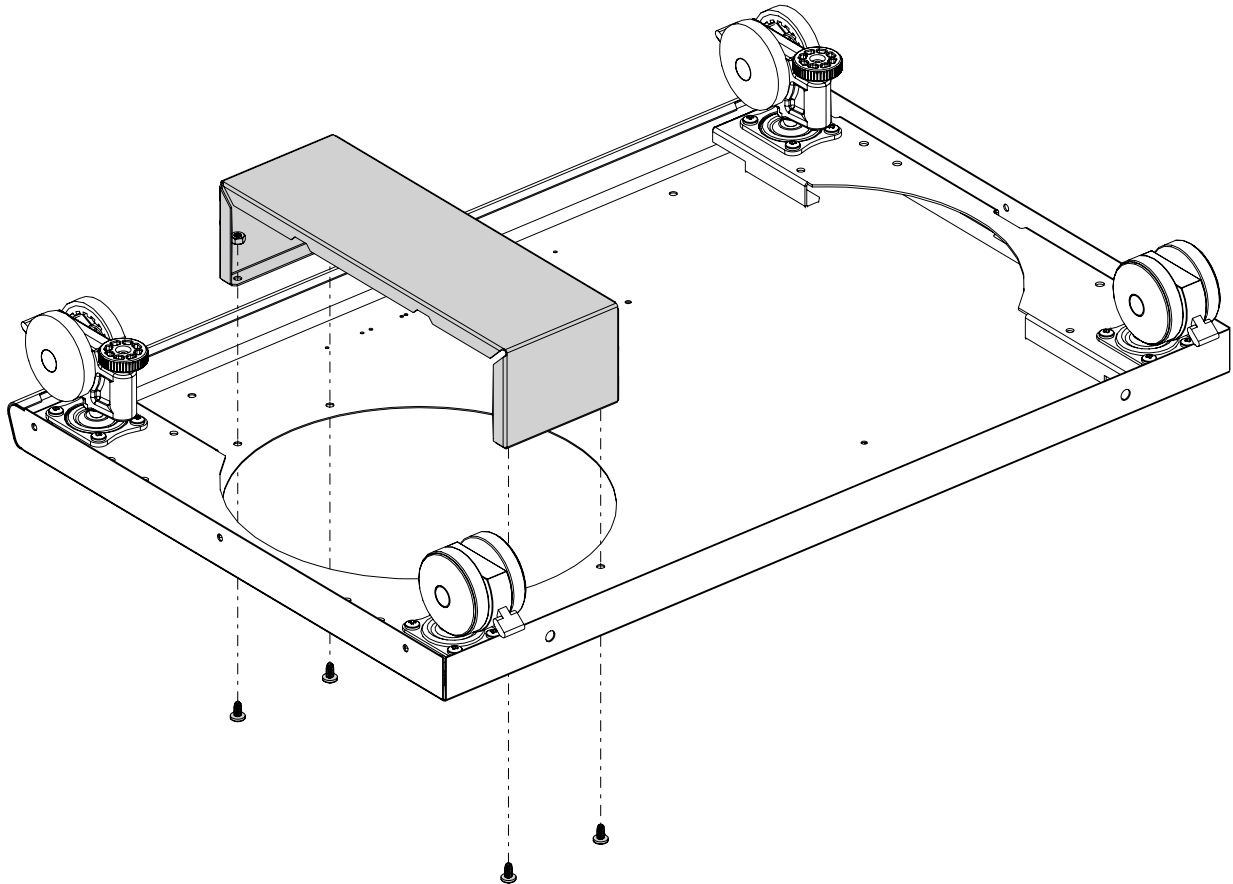
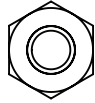
2



(4)



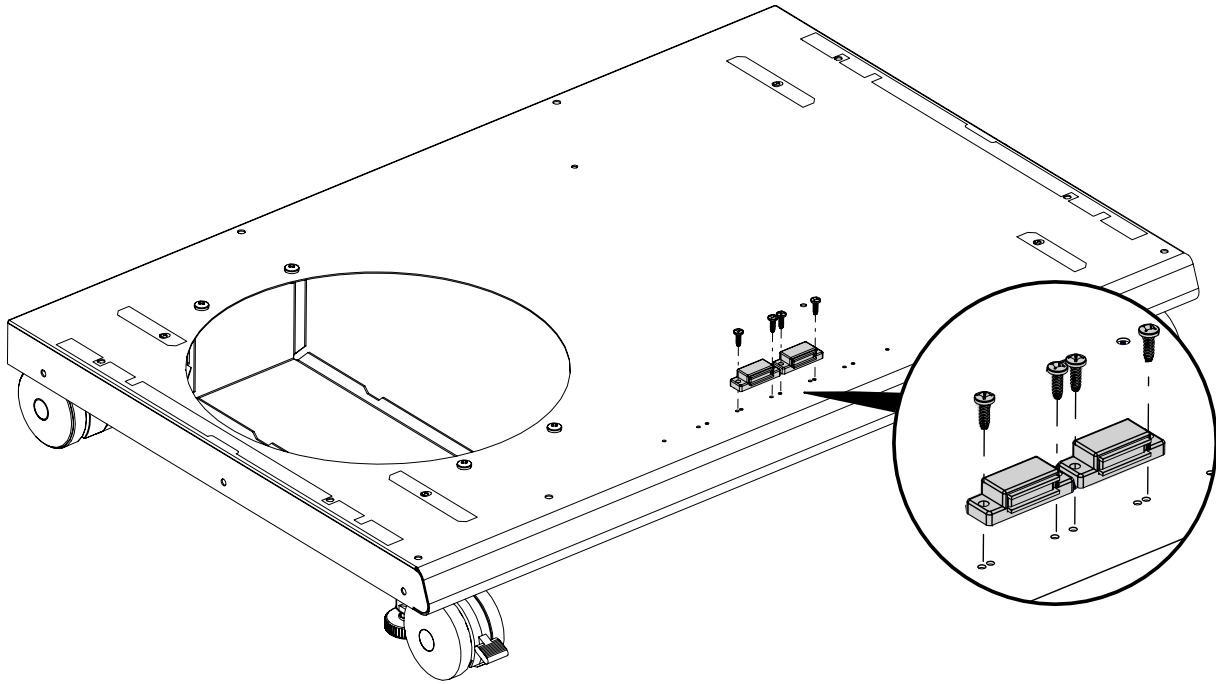
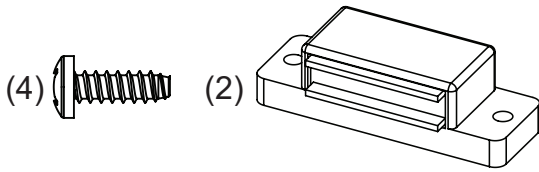
(4)



# 3

(4)

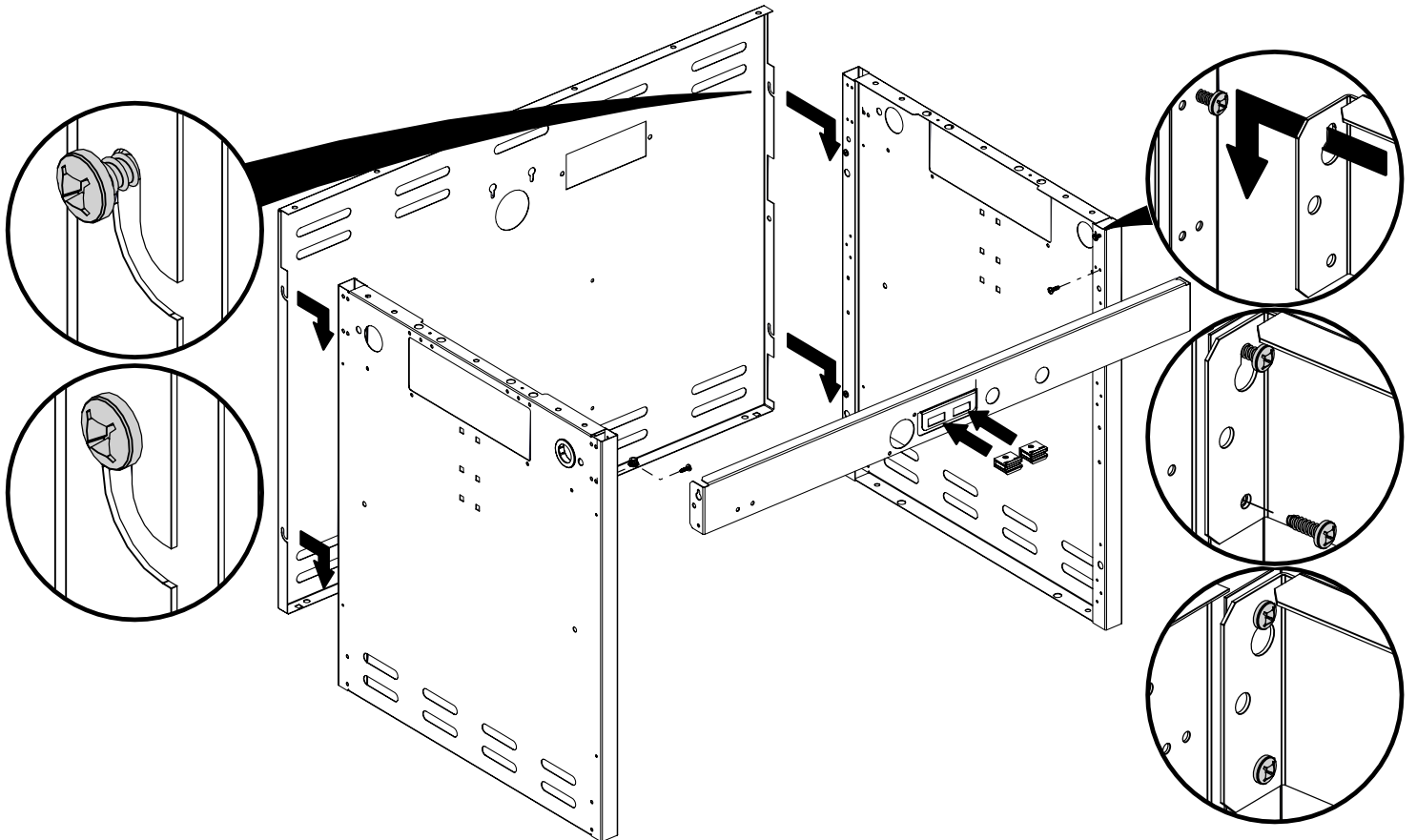
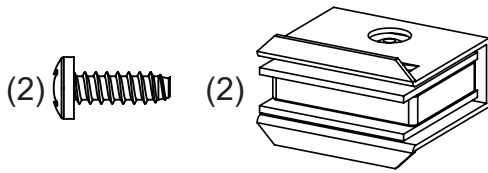
(2)



# 4

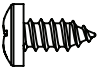
(2)

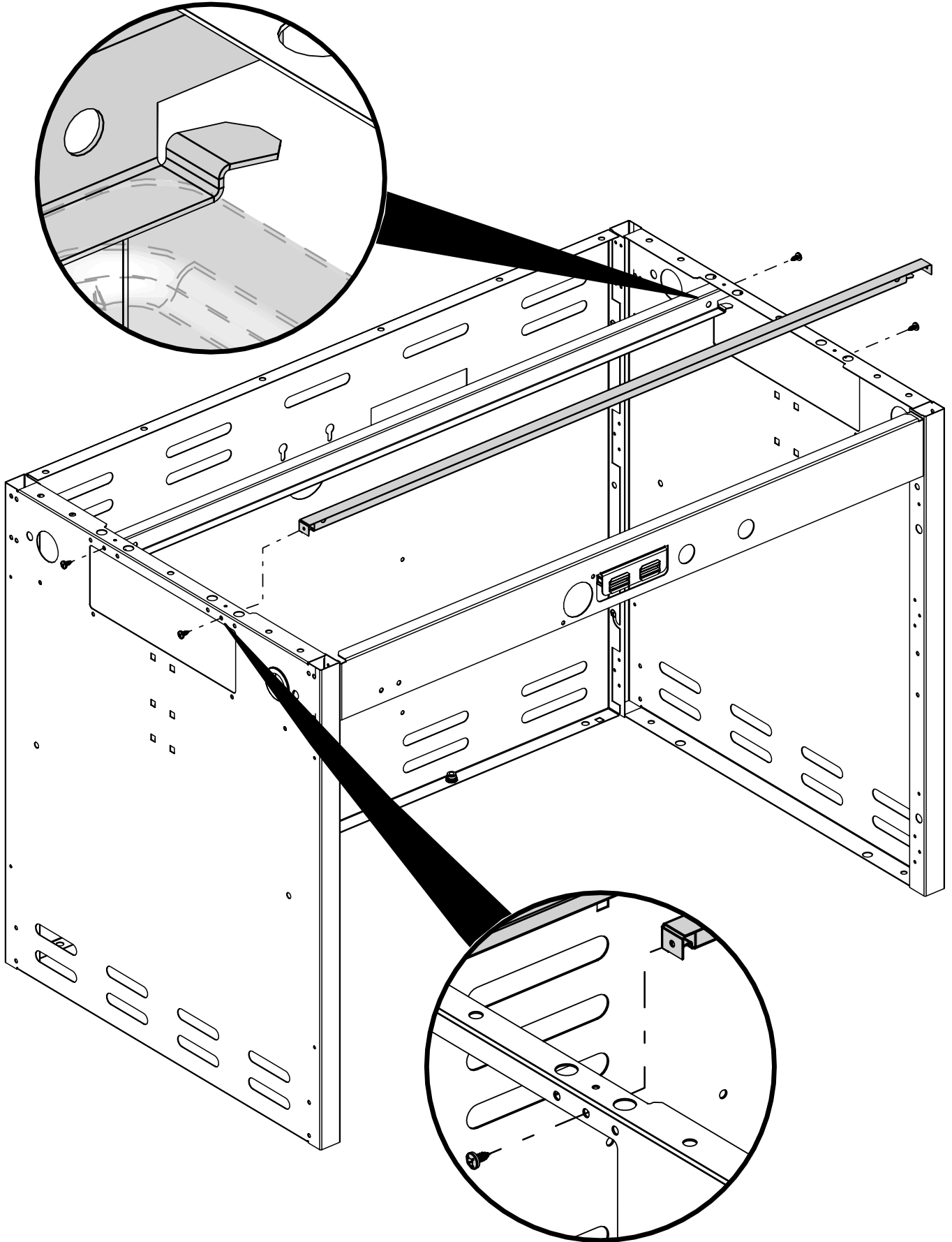
(2)





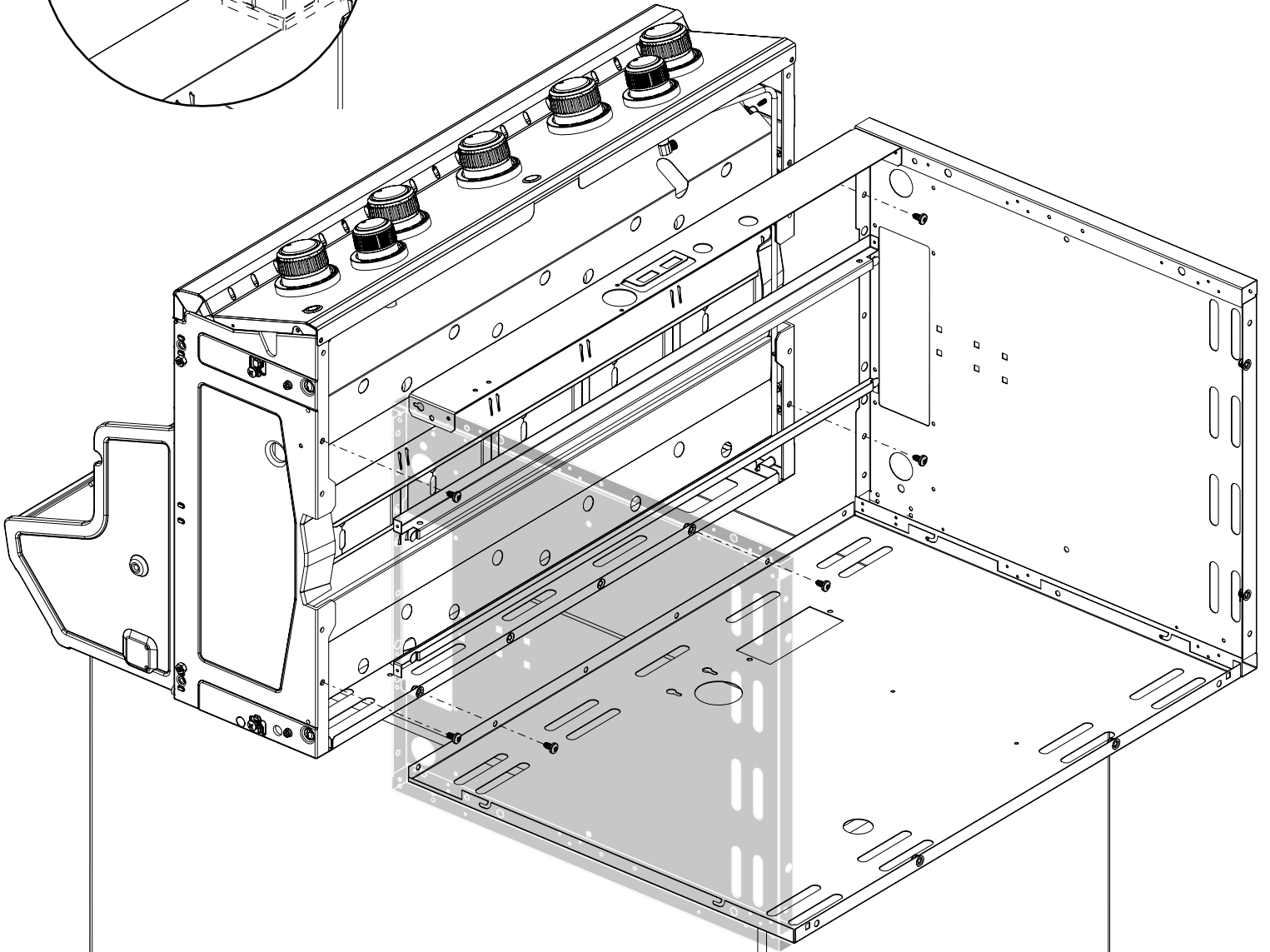
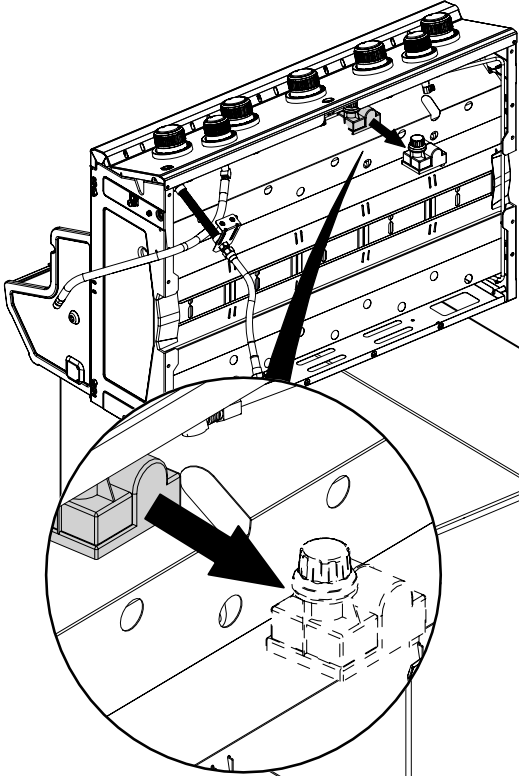
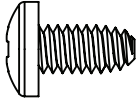
5

(4) 

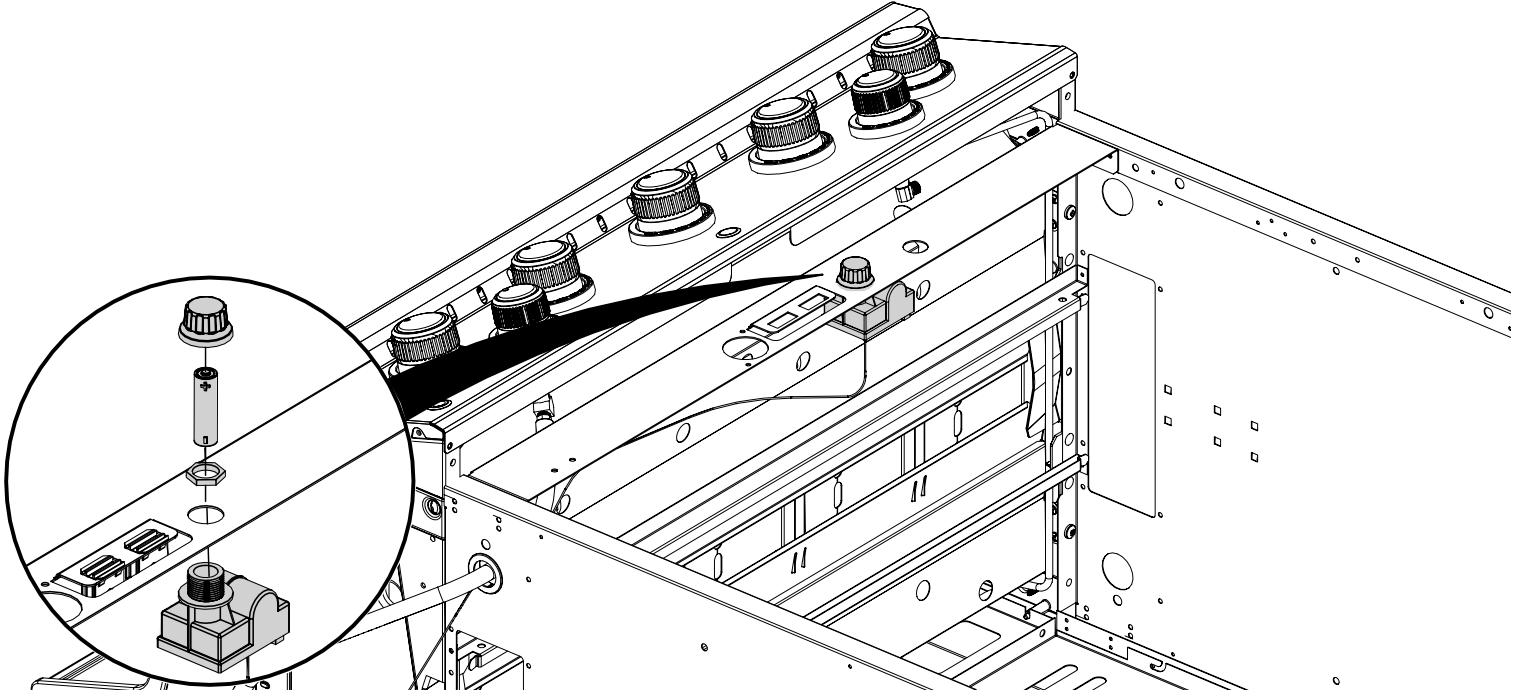


6

(6)

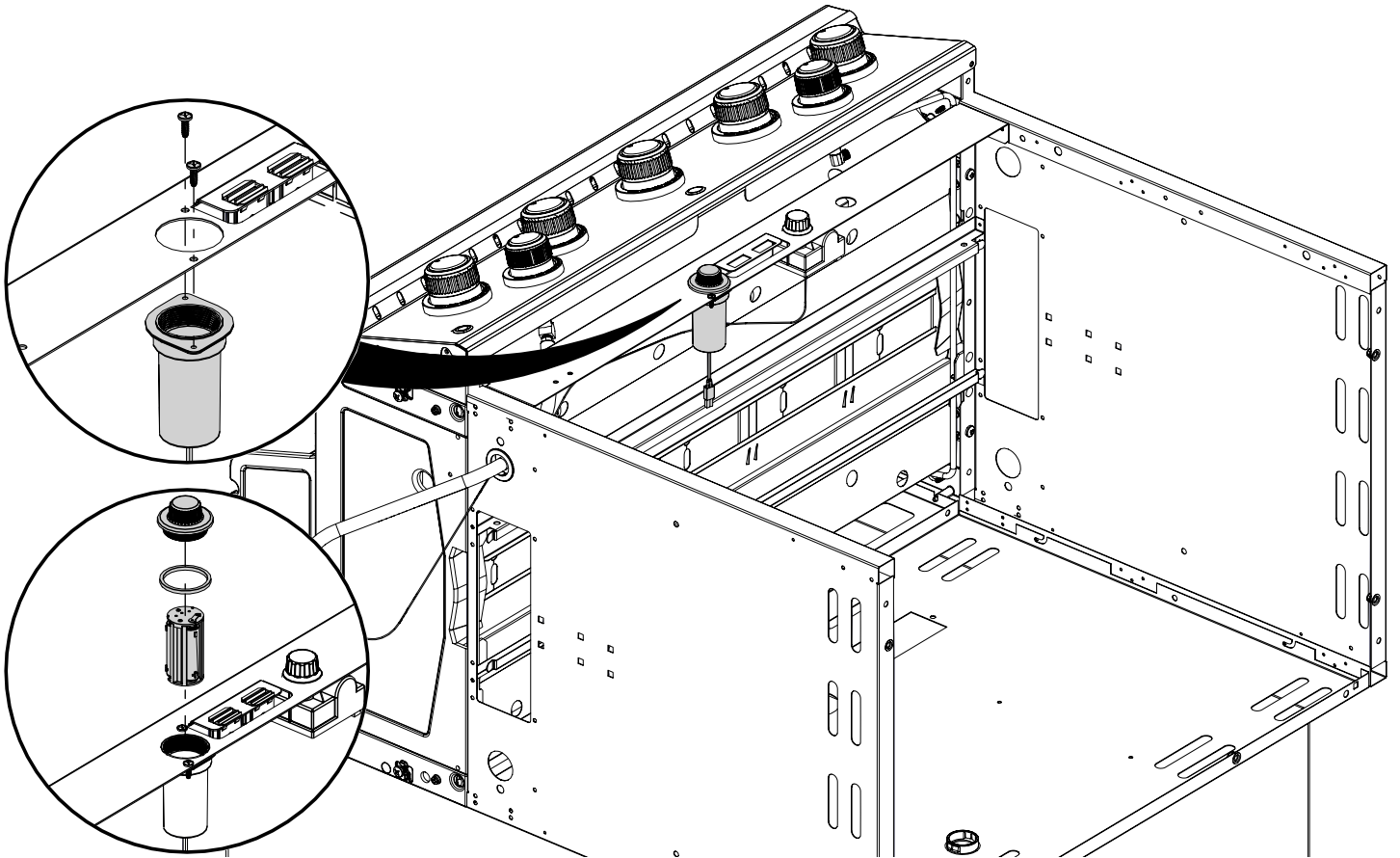


7

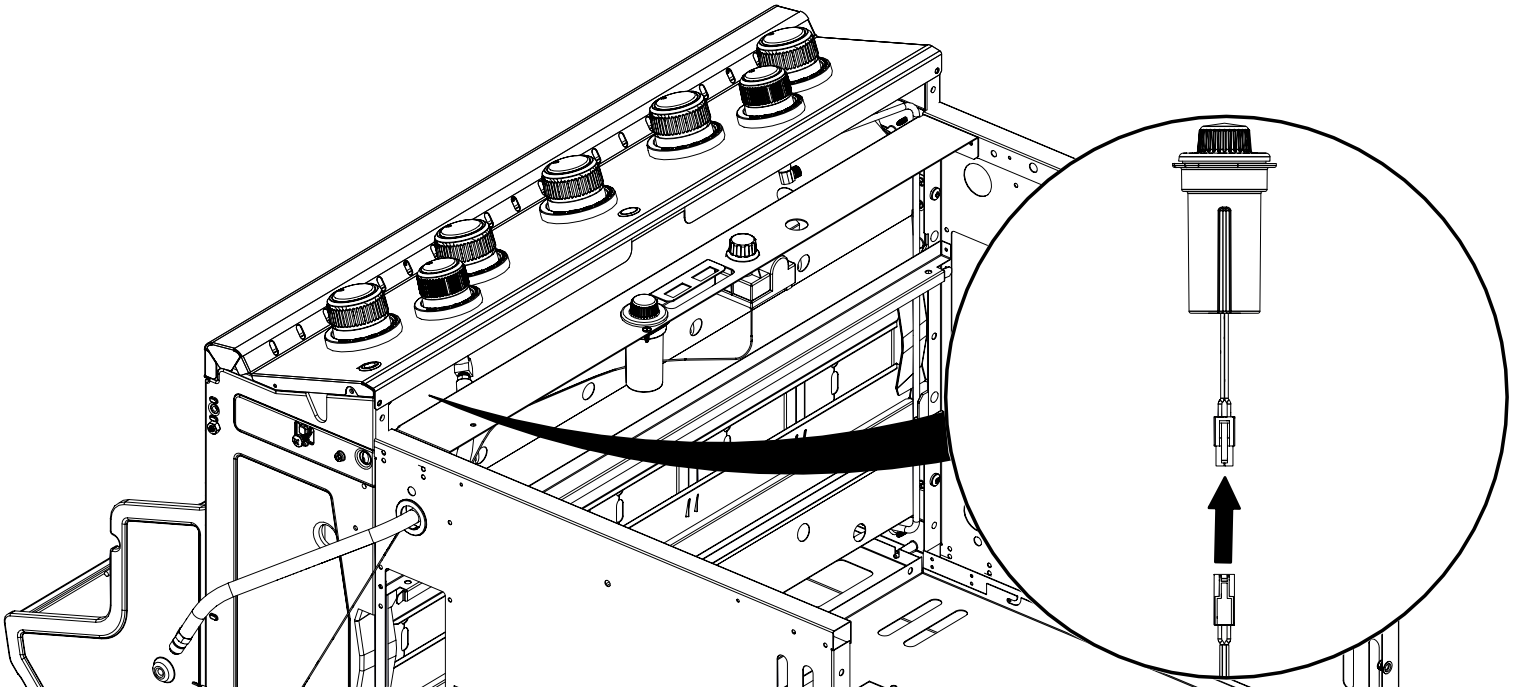


8

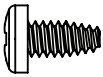
(2) 

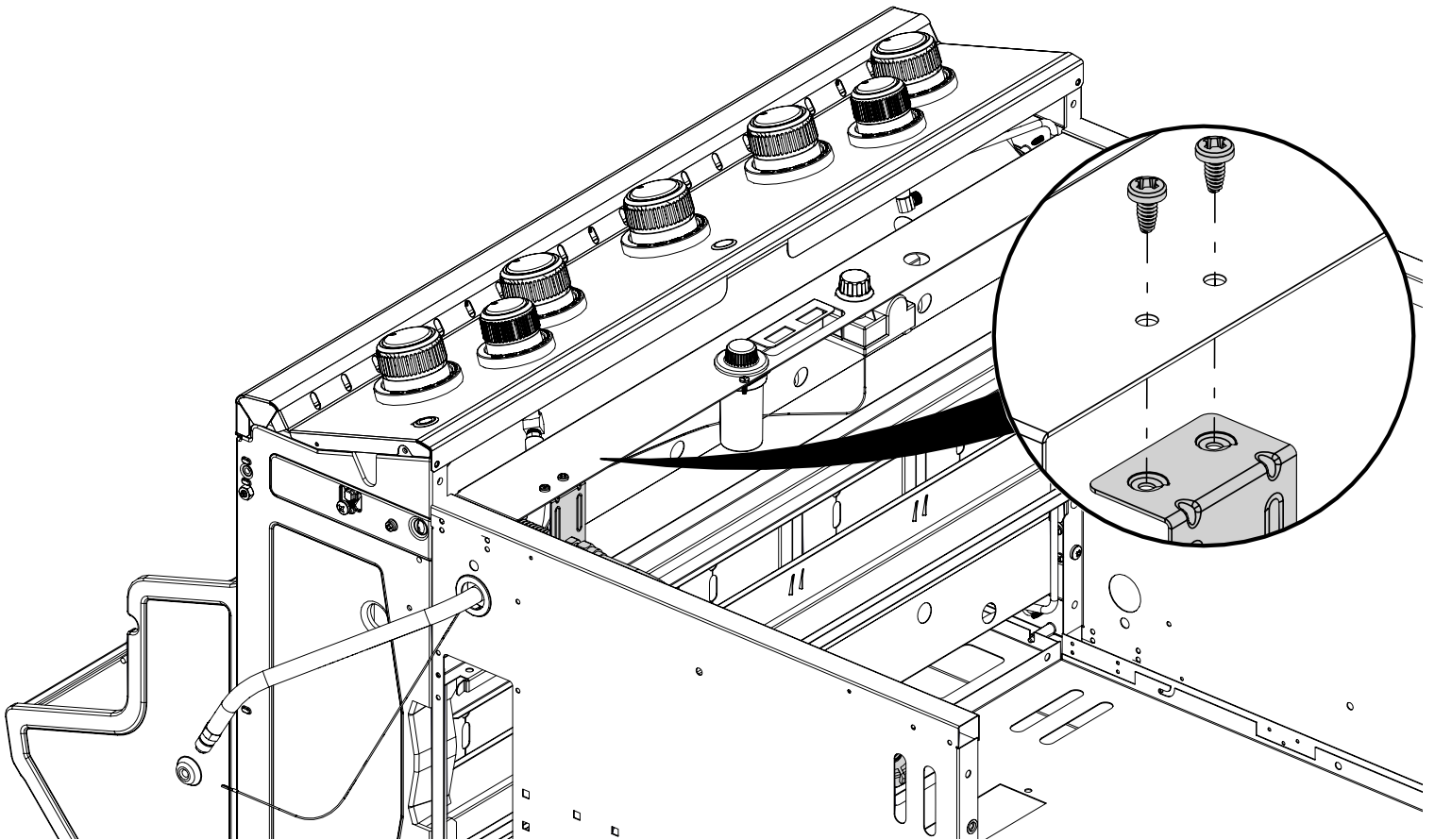


9

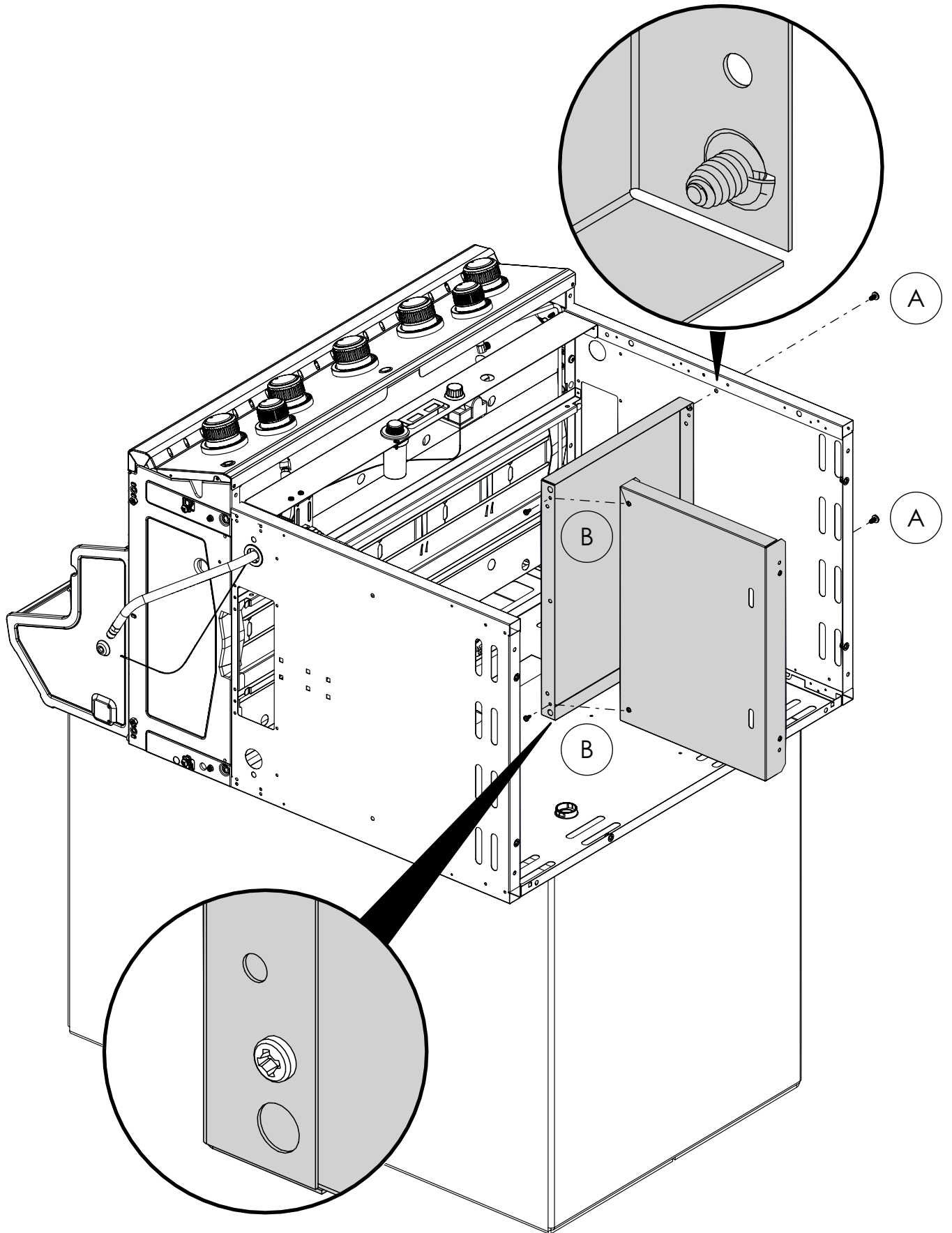
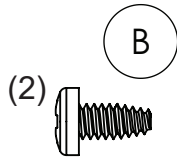
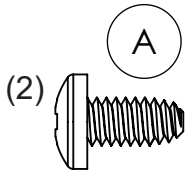


10

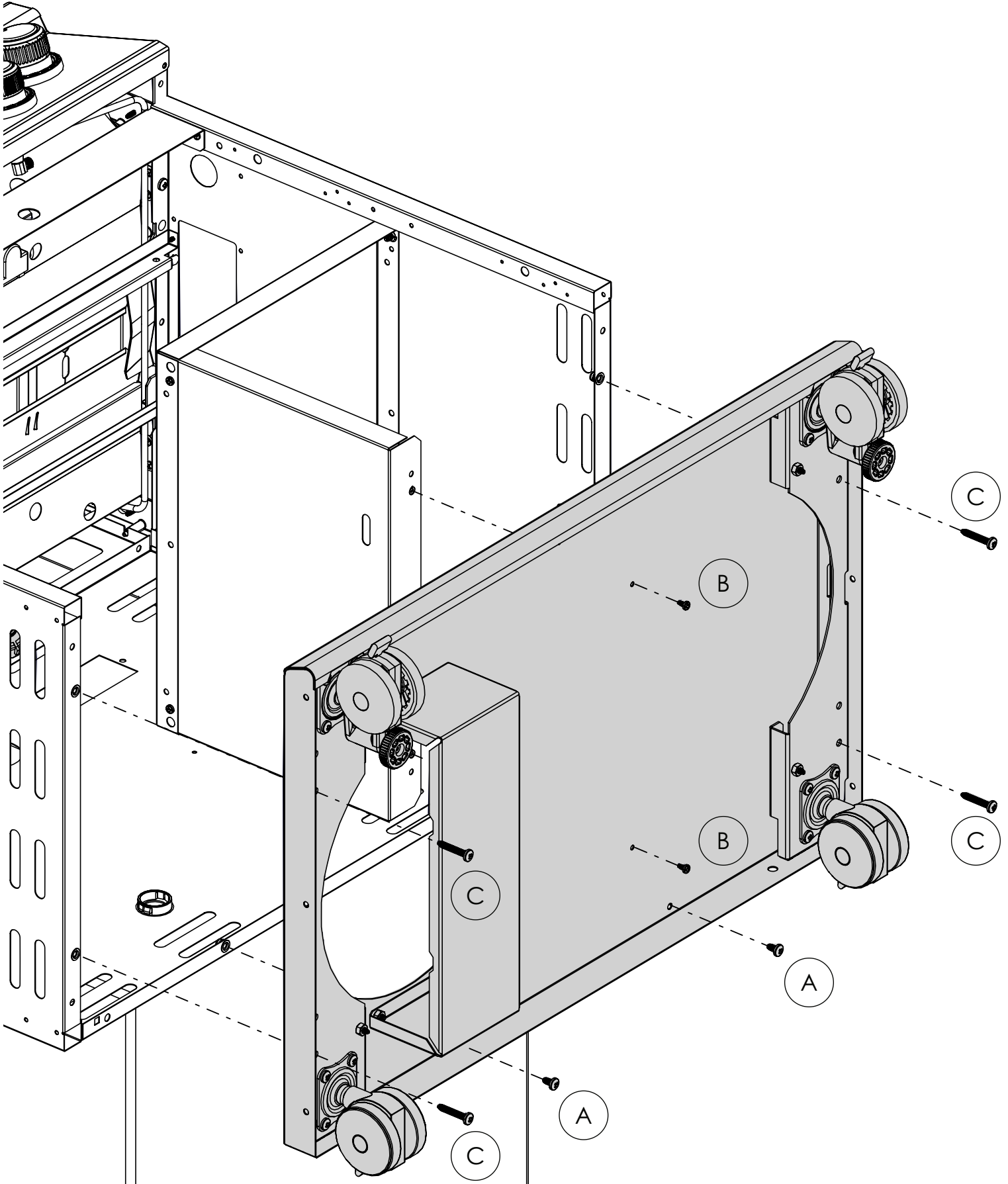
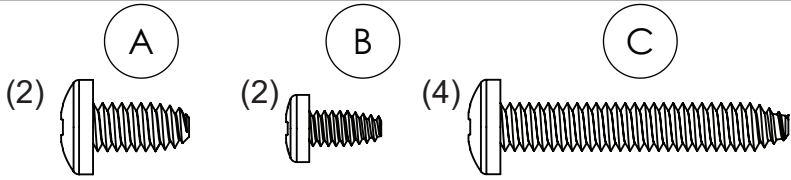
(2) 



# 11

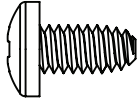


# 12

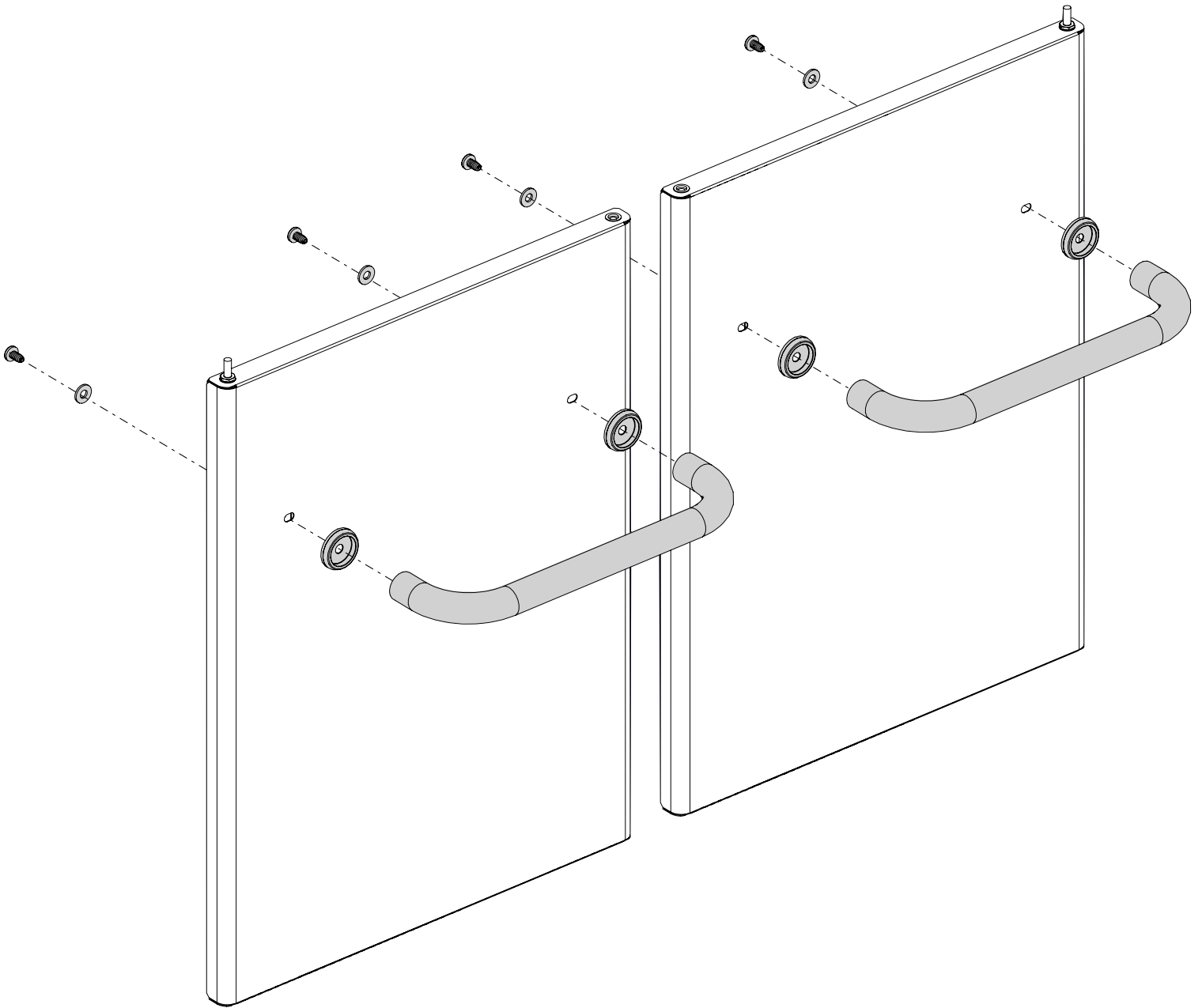
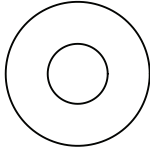


# 13

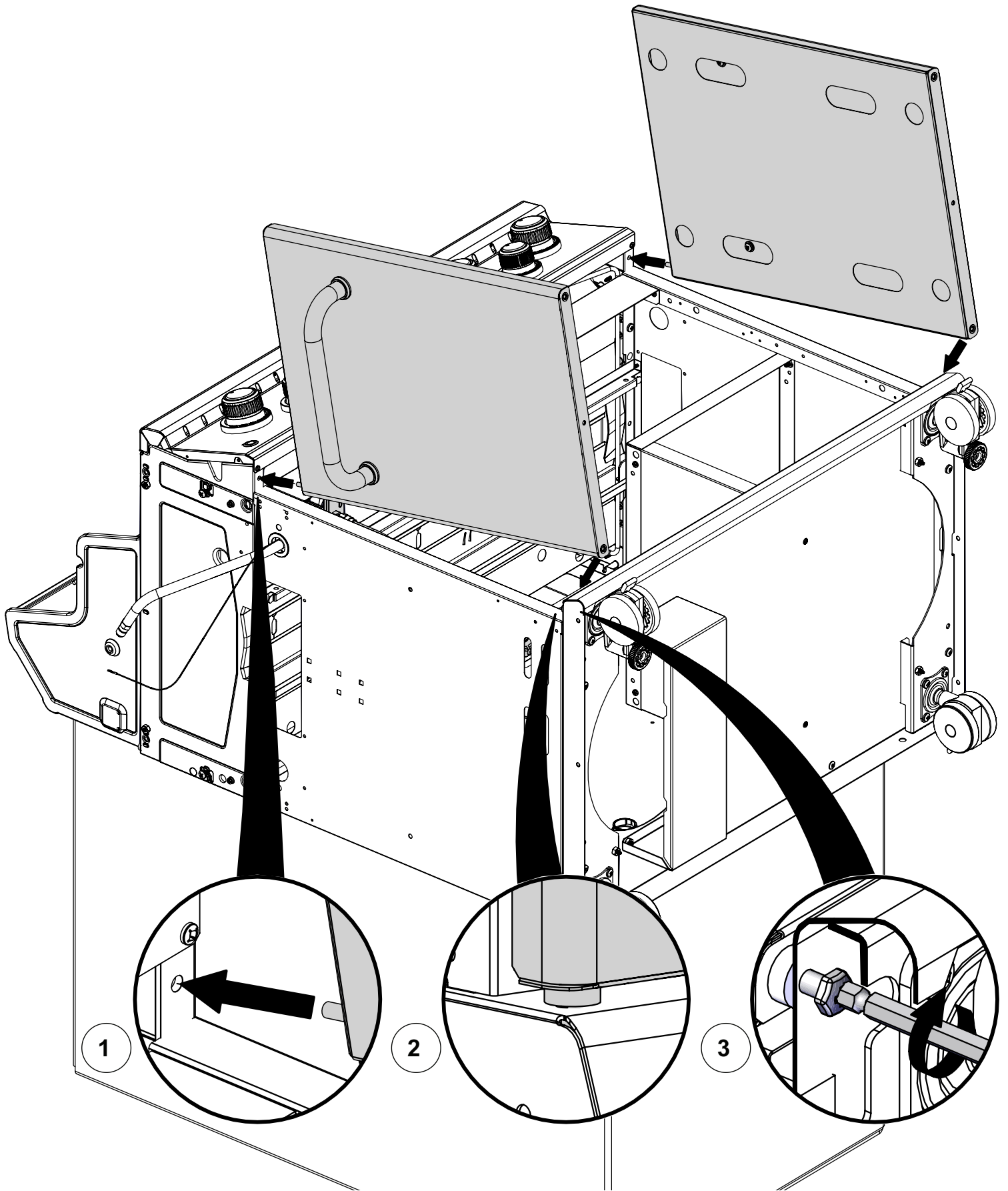
(4)



(4)

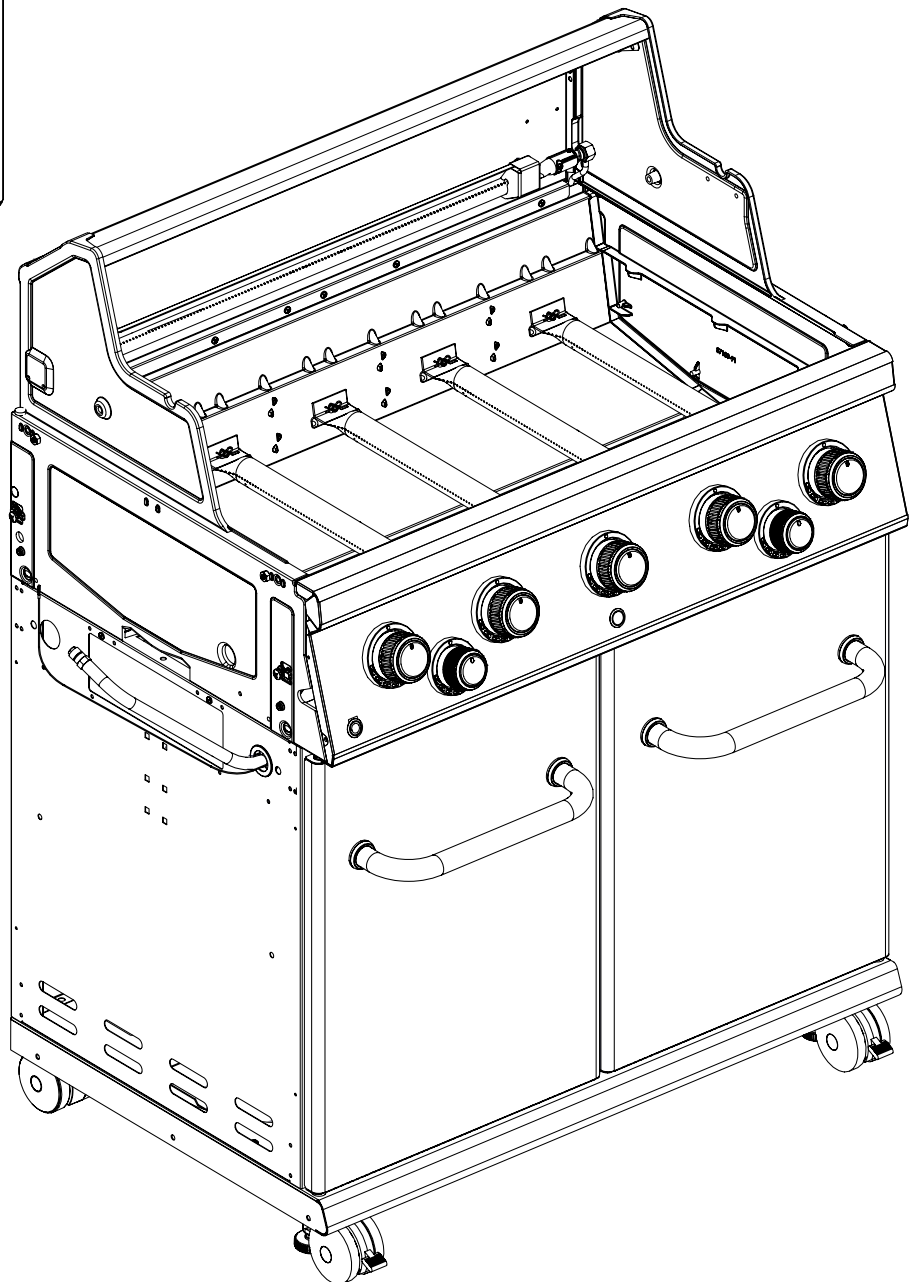
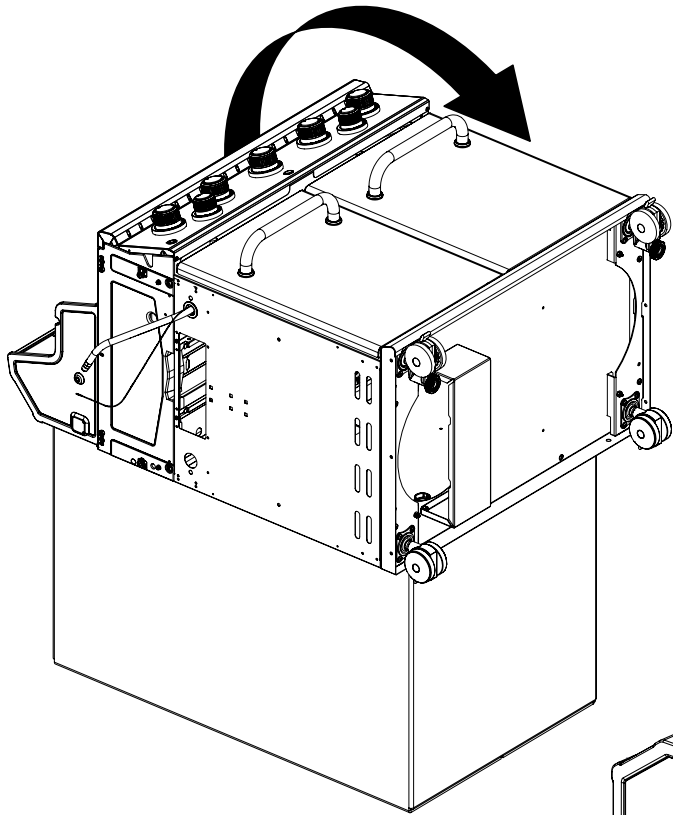
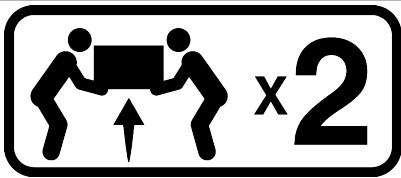




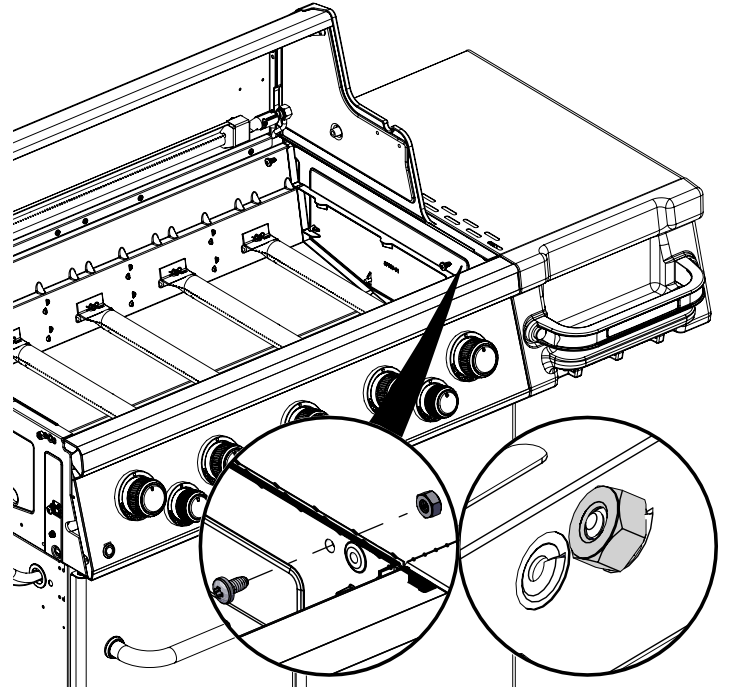
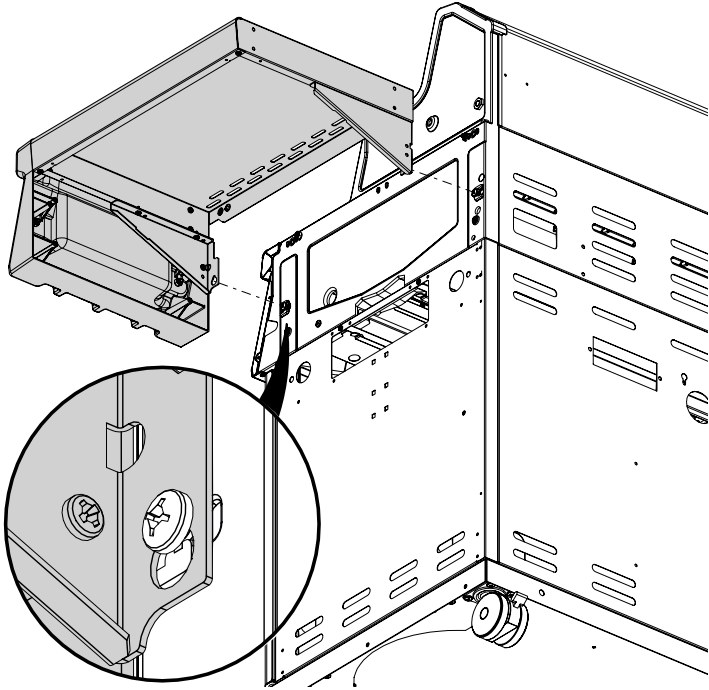
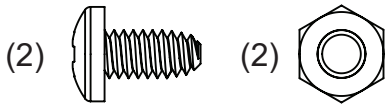




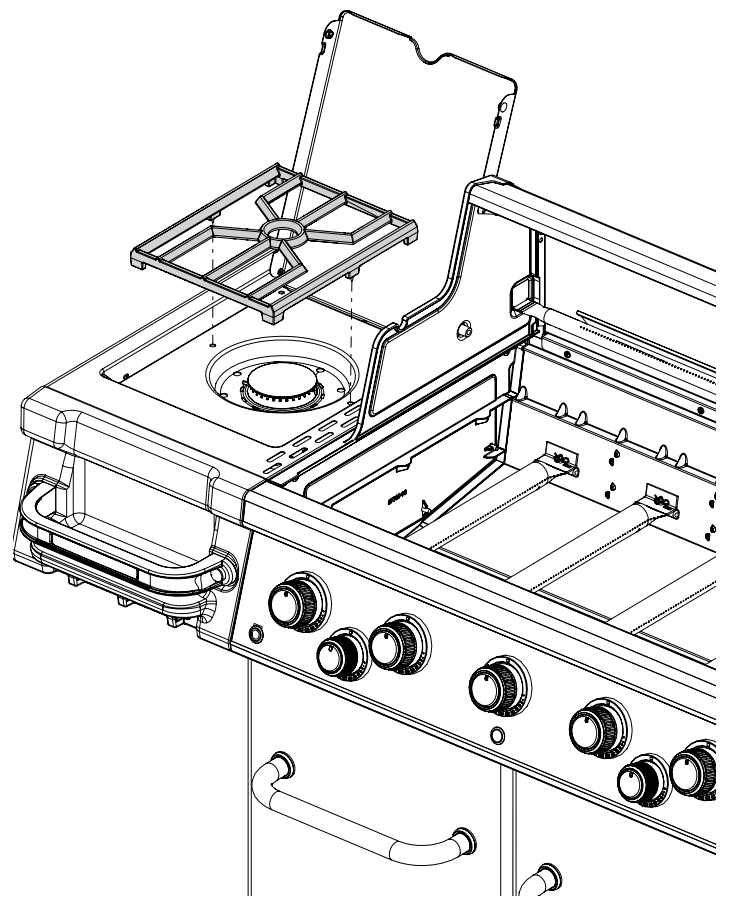
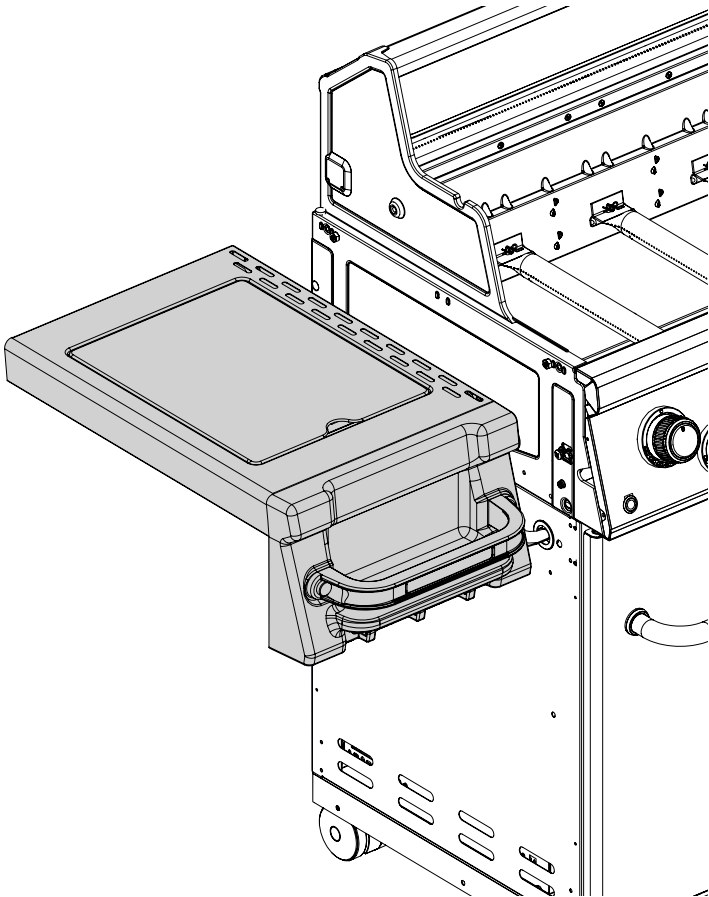
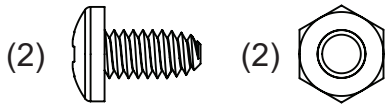
15



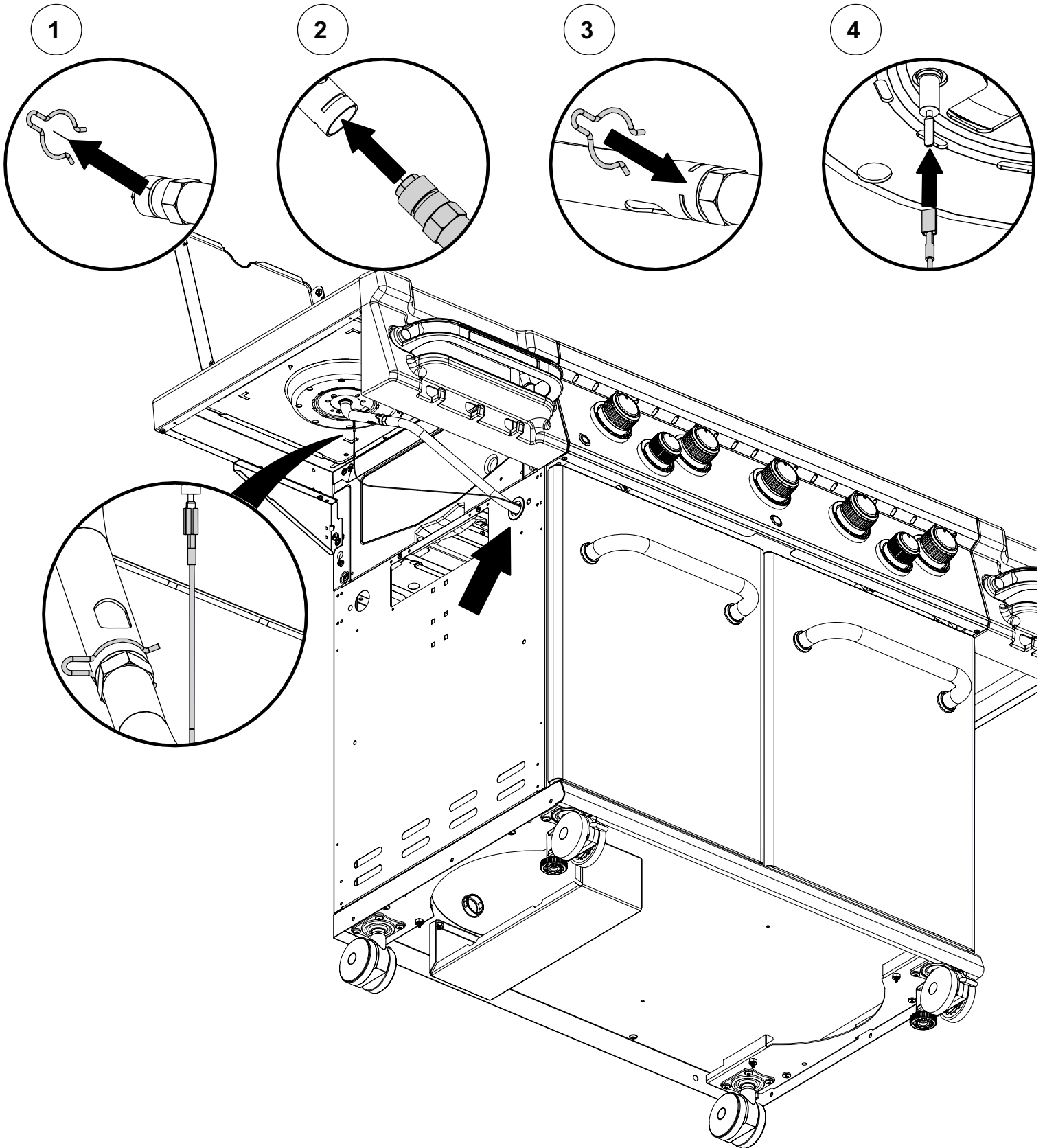
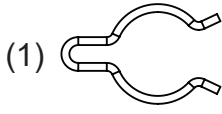
# 16



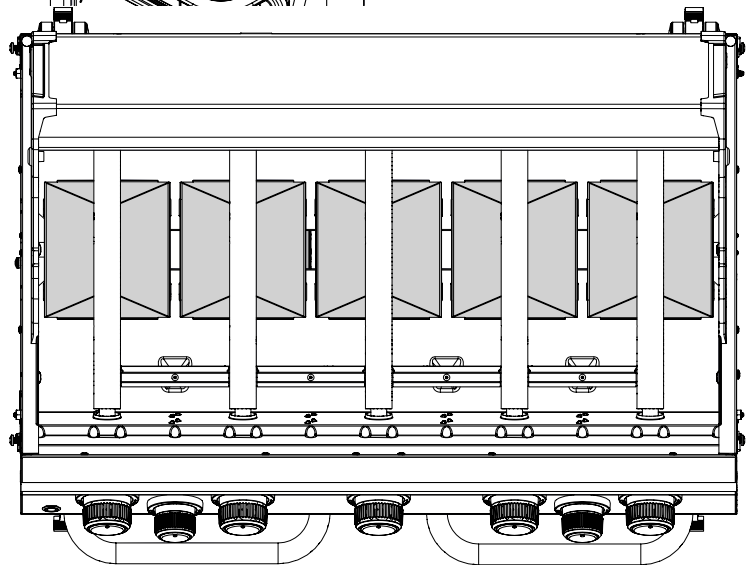
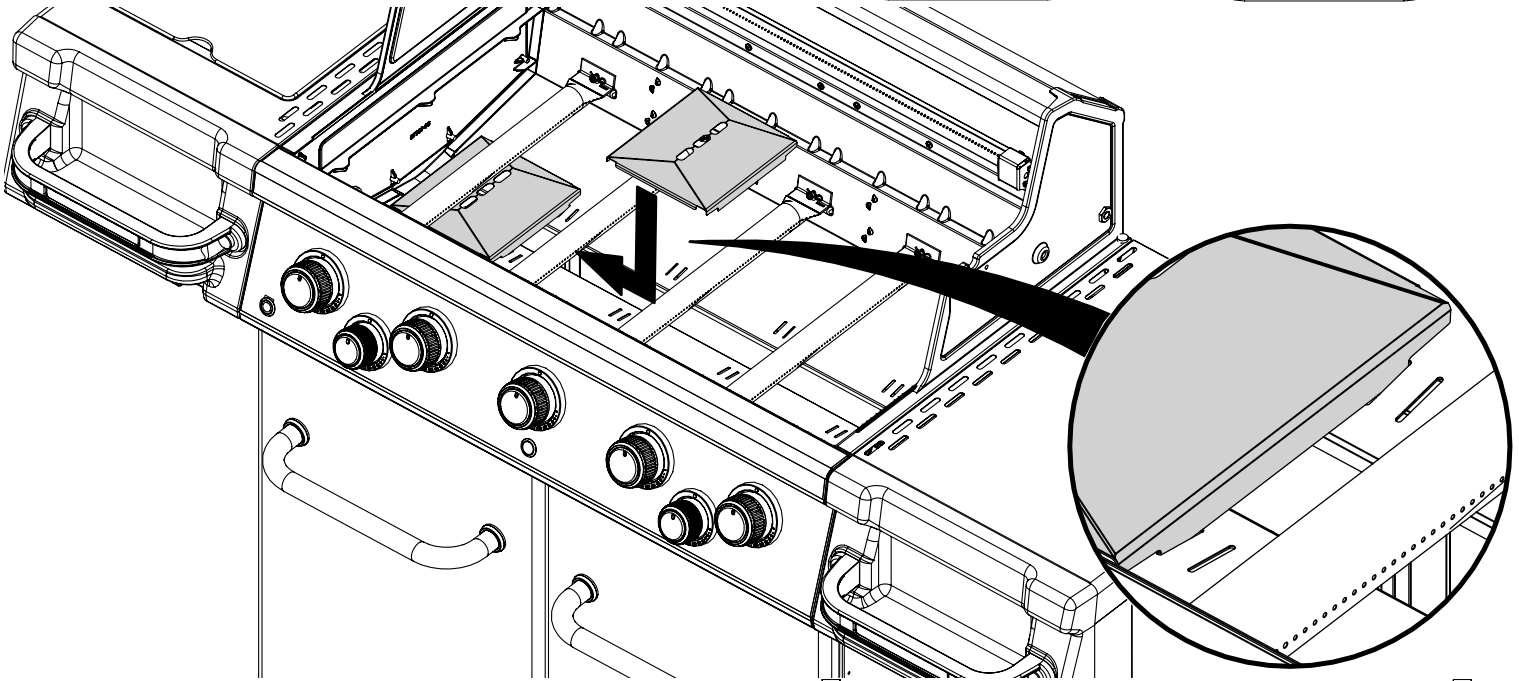
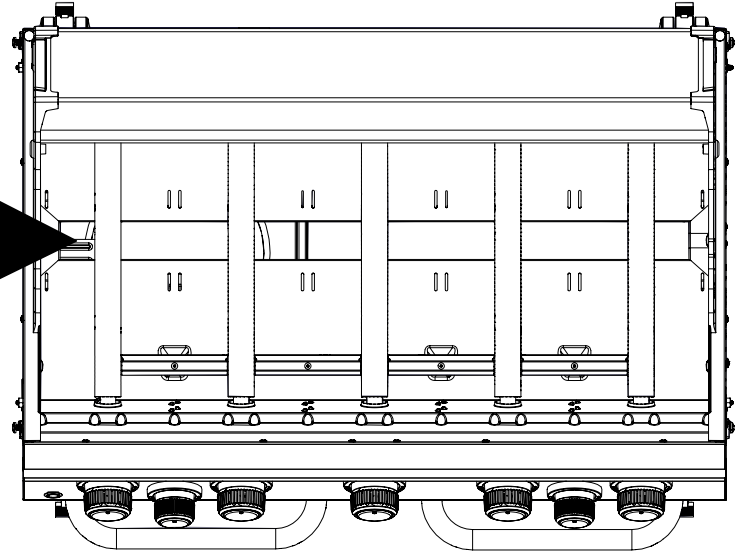
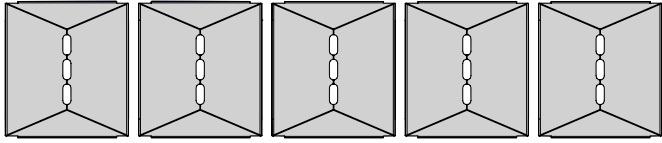
# 17



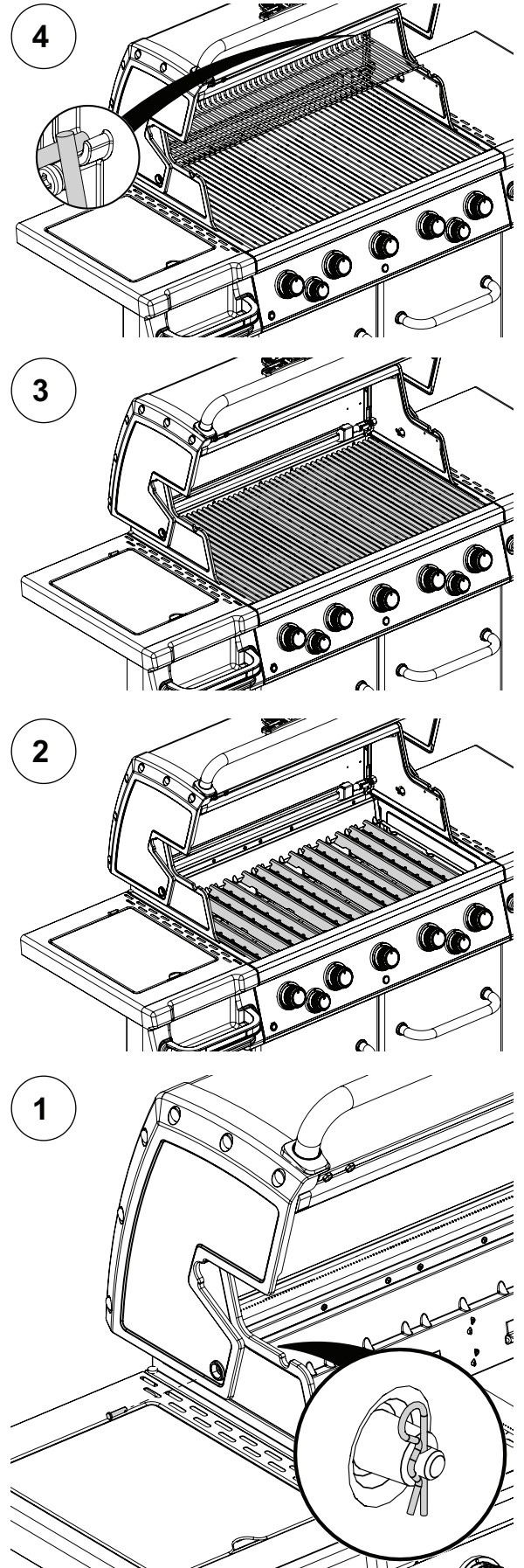
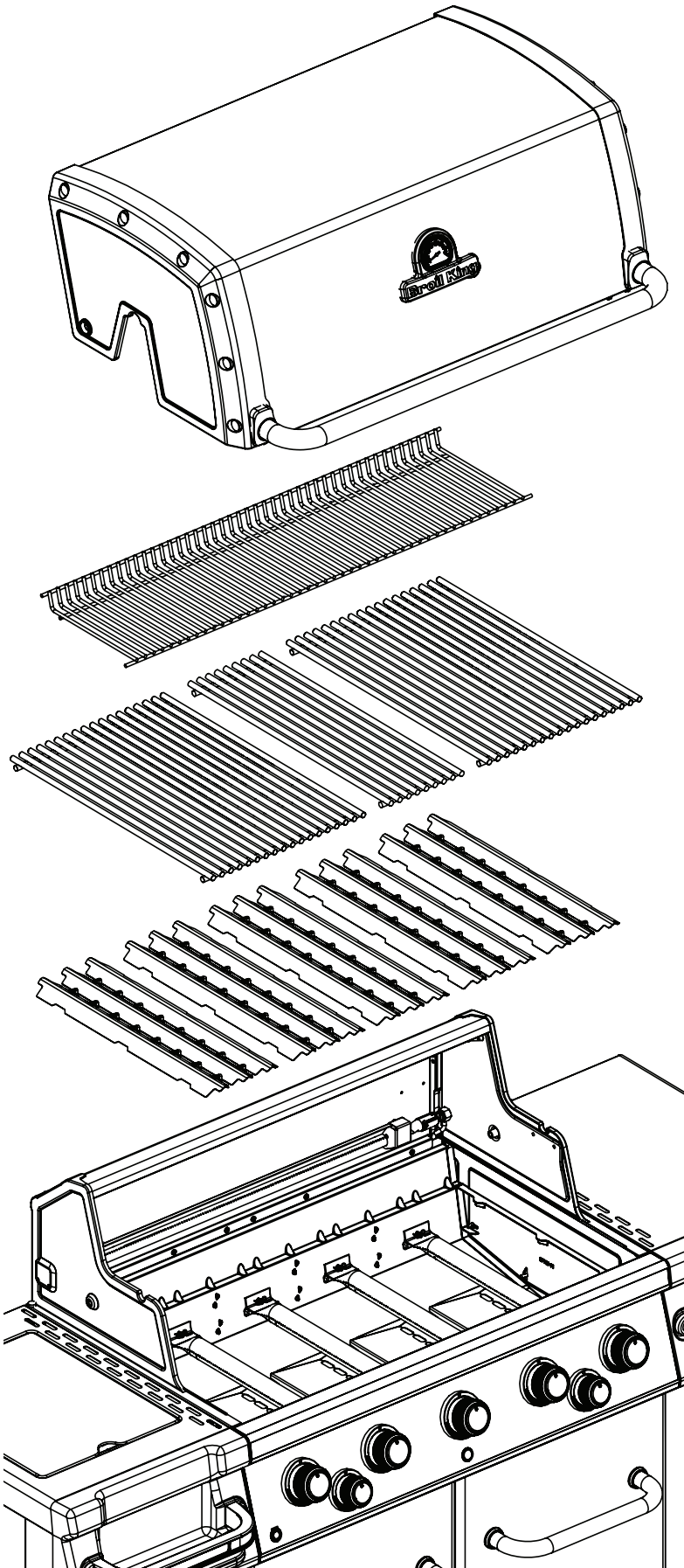
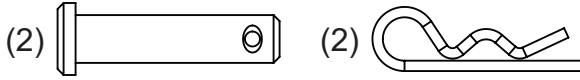
# 18



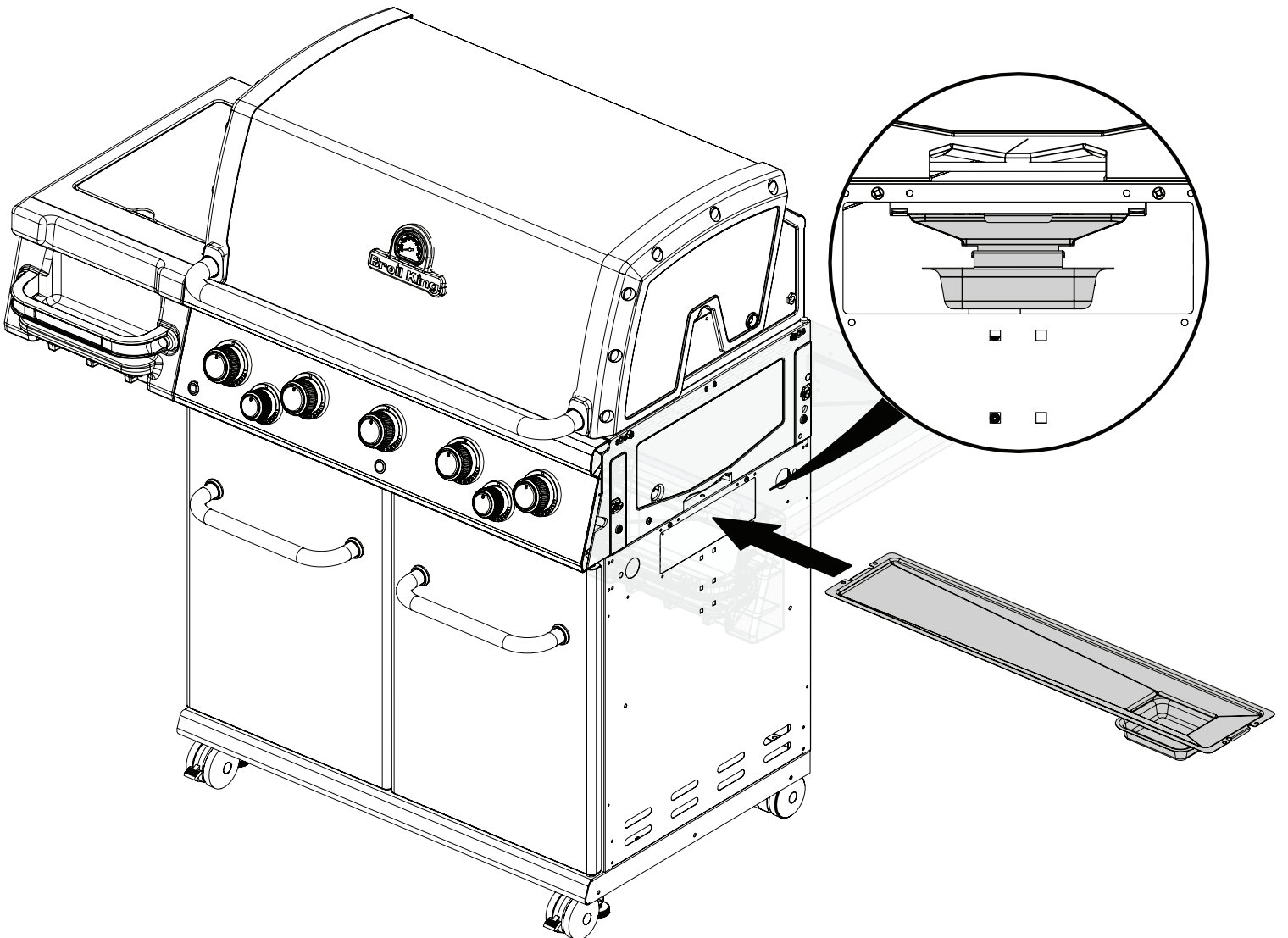
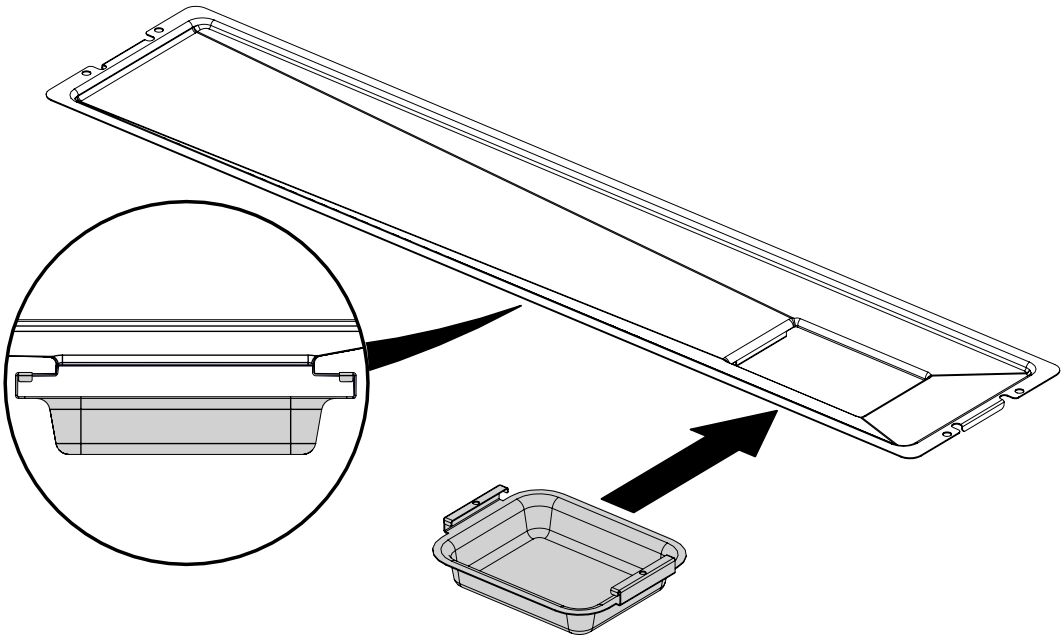
19



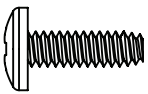
# 20

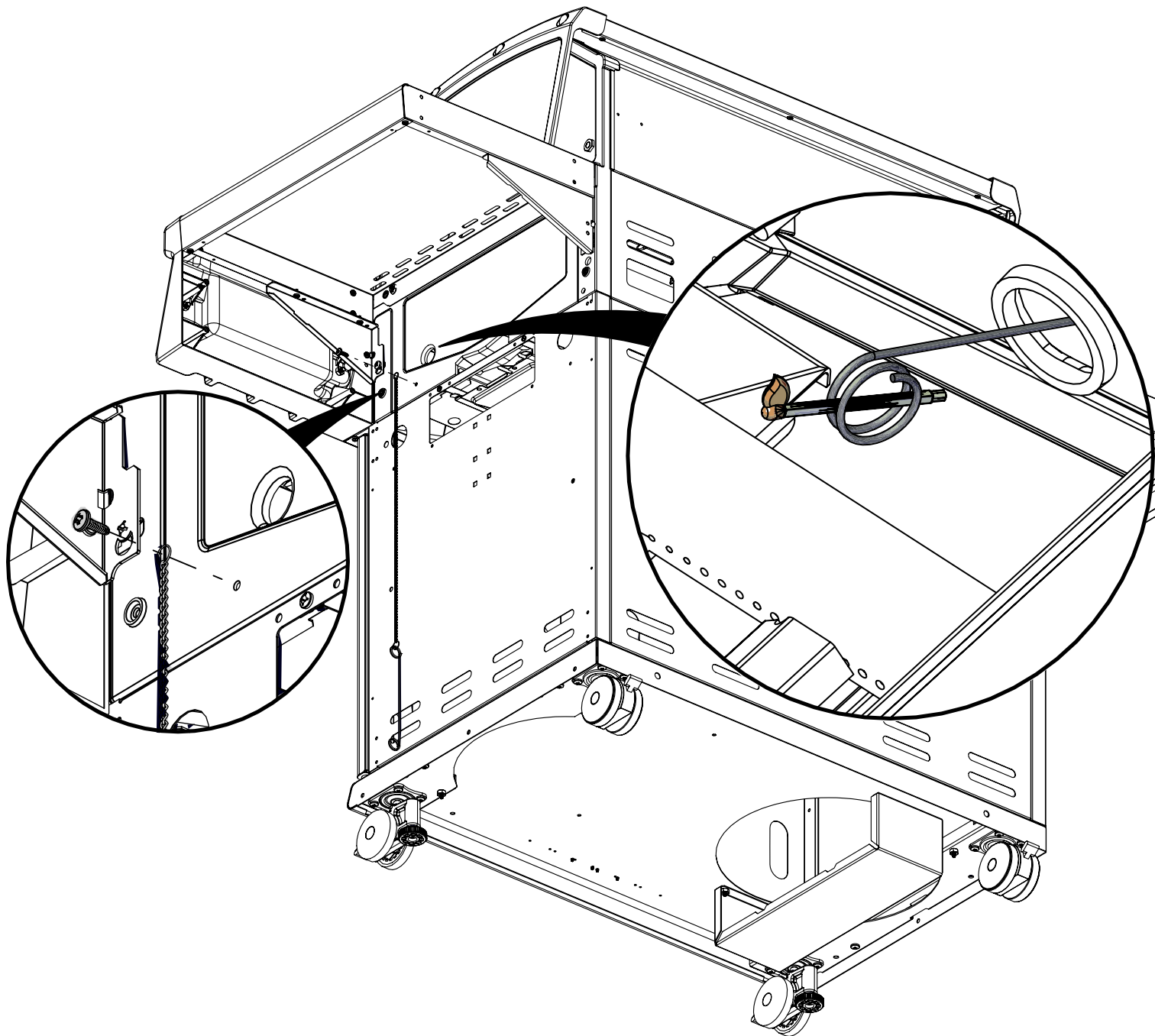




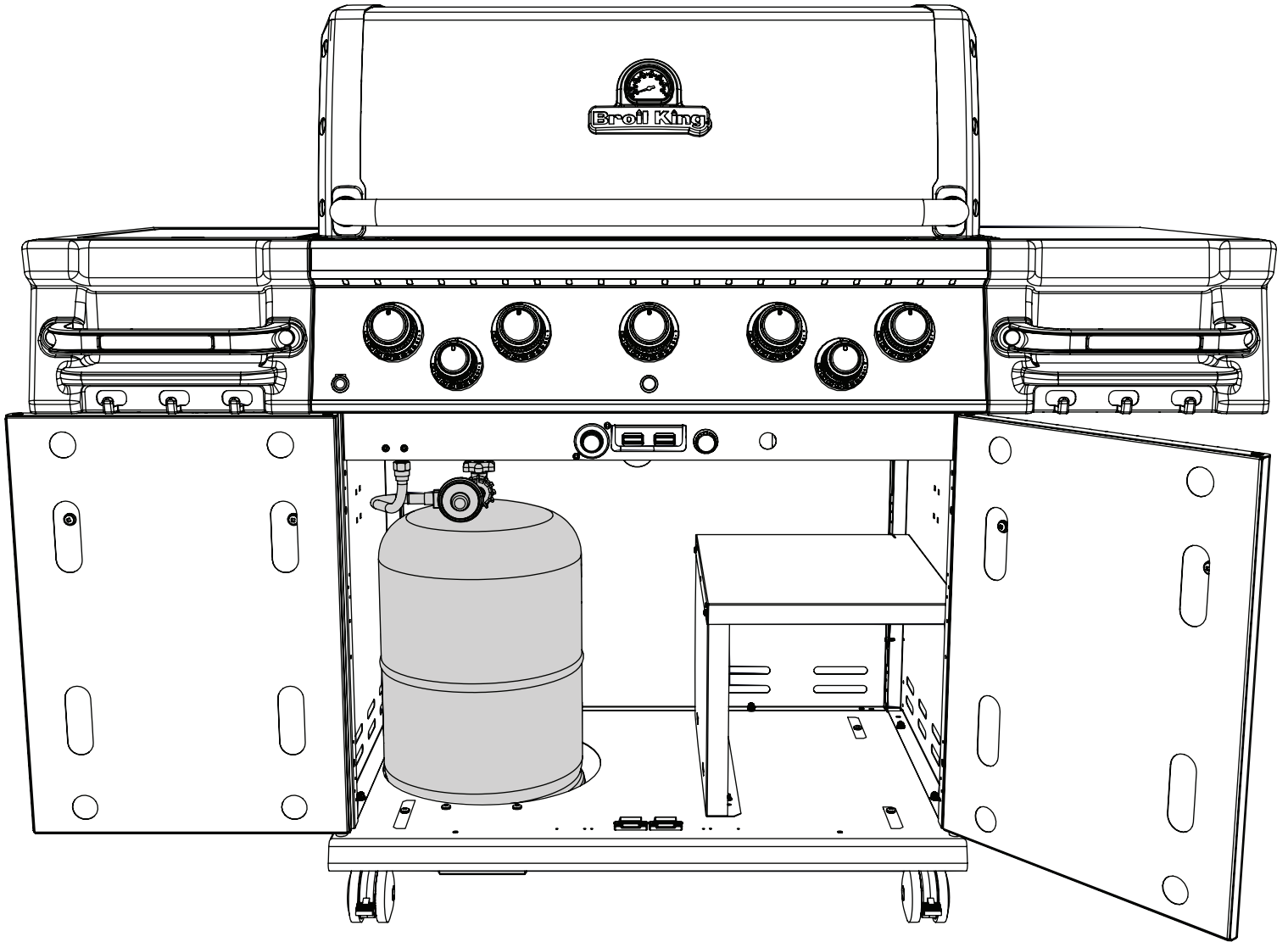
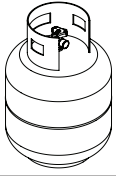


# 22

(1)  (1)

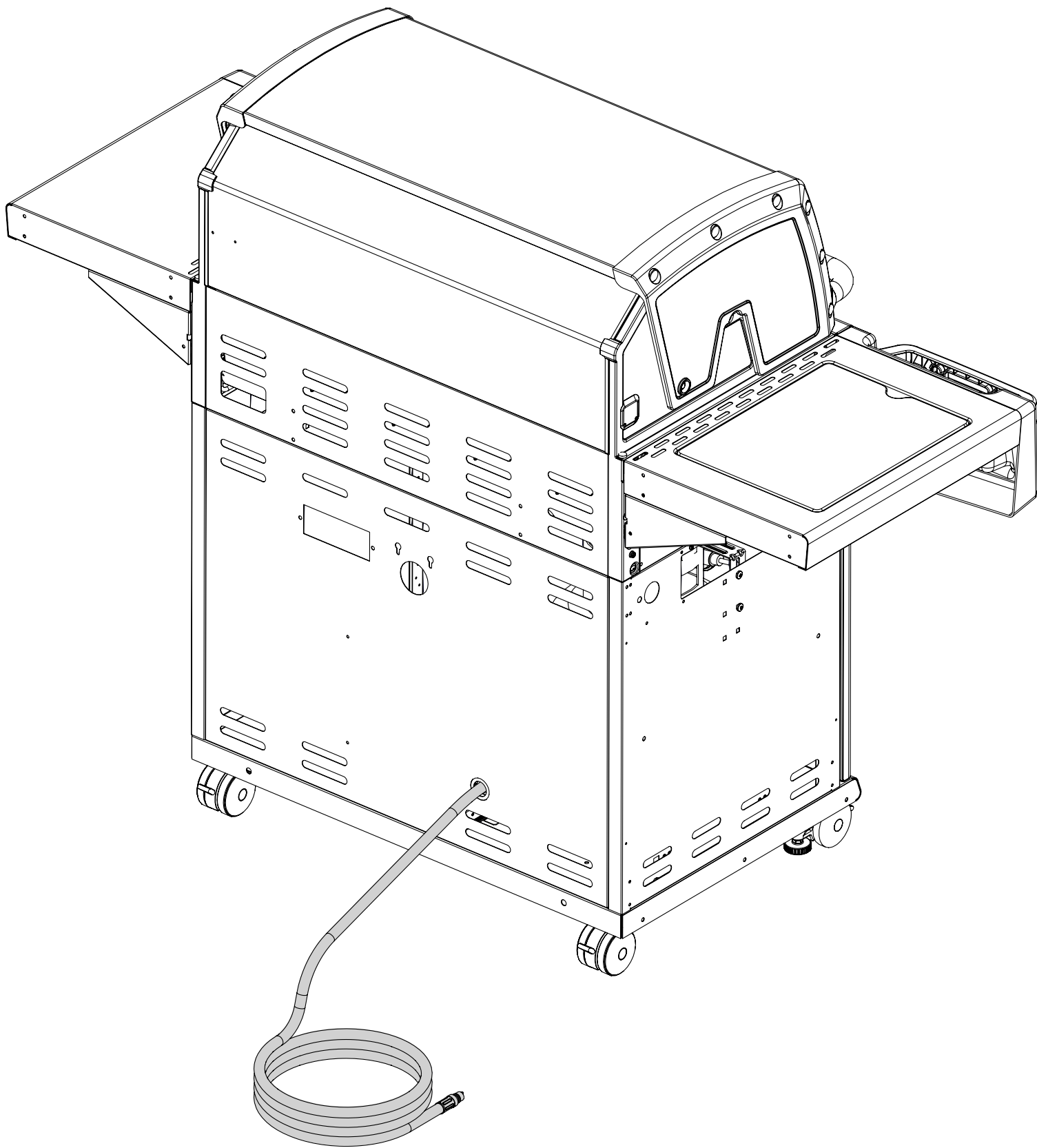


23





24



# 25

