

Broil King®



Broil King
CROWN 420
8652-52
8652-53



Broil King
CROWN S 420
8653-52
8653-53



Broil King
CROWN 440
8652-62
8652-63



Broil King
CROWN S 440
8653-62
8653-63




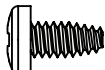
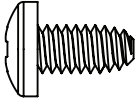
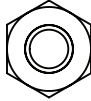
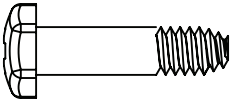
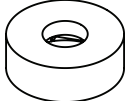
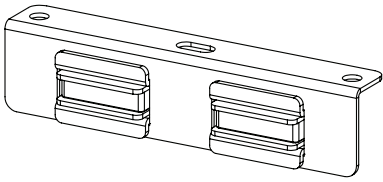
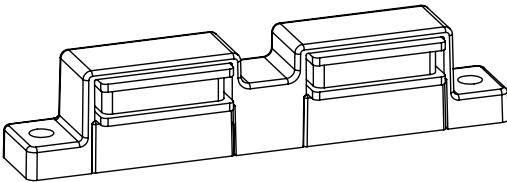
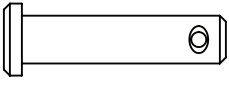
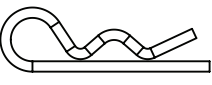
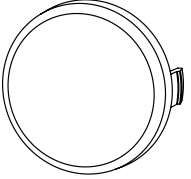
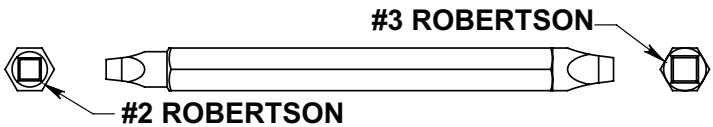
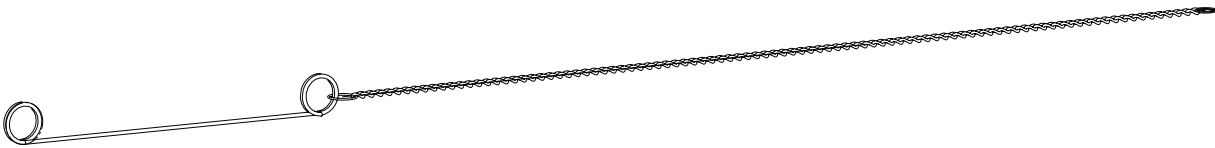
Broil King
CROWN 490
8652-82
8652-83



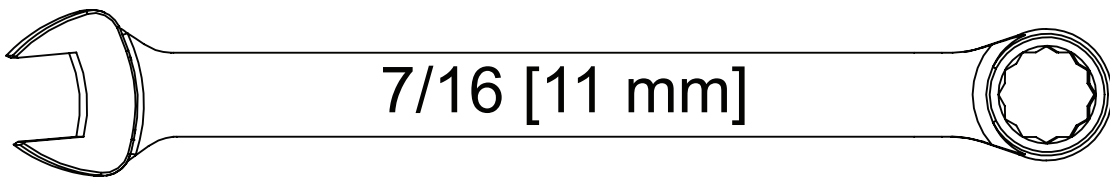
Broil King
CROWN S 490
8653-82
8653-83



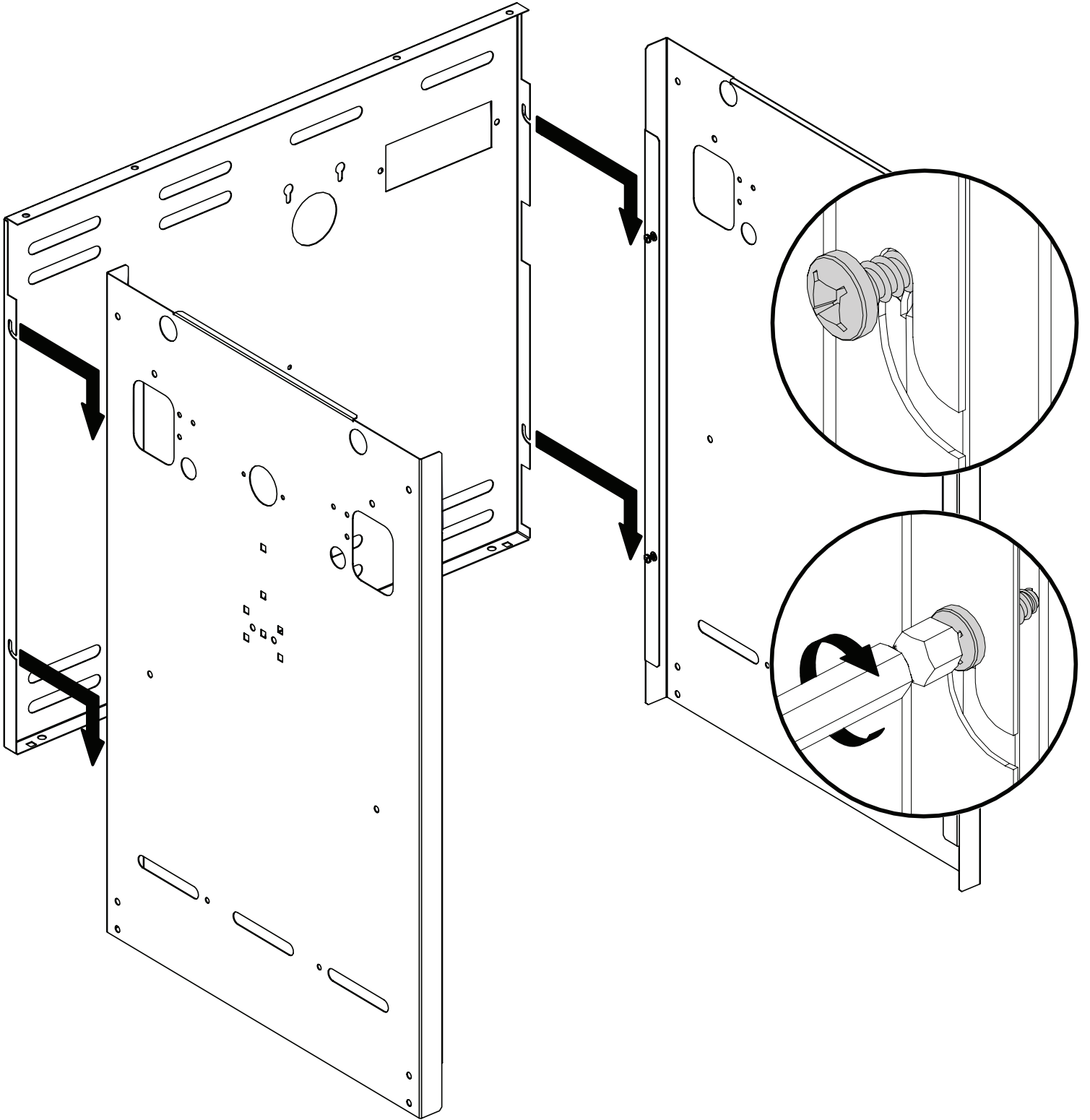
HARDWARE INCLUDED

| | | | | | |
|------------|--|------|---|---|-----|
| S21124 |  | (4) | Y-29304 |  | (2) |
| Y-12865 |  | (22) | Y-11793 |  | (4) |
| Y-11551 |  | (2) | Y-12124 |  | (2) |
| 56039-214A |  | (1) | Y-12229 |  | (1) |
| S21235 |  | (2) | S21233 |  | (2) |
| 32001-151 |  | (4) |  <p style="text-align: center;">#3 ROBERTSON #2 ROBERTSON</p> | | |
| 20005-000 |  | | | | (1) |

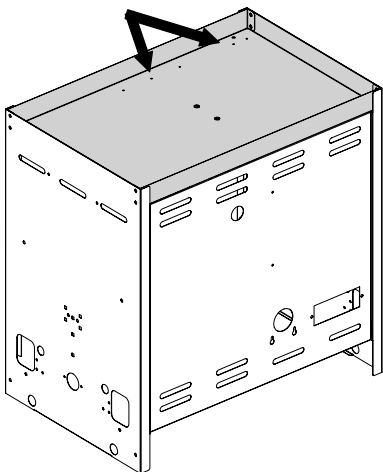
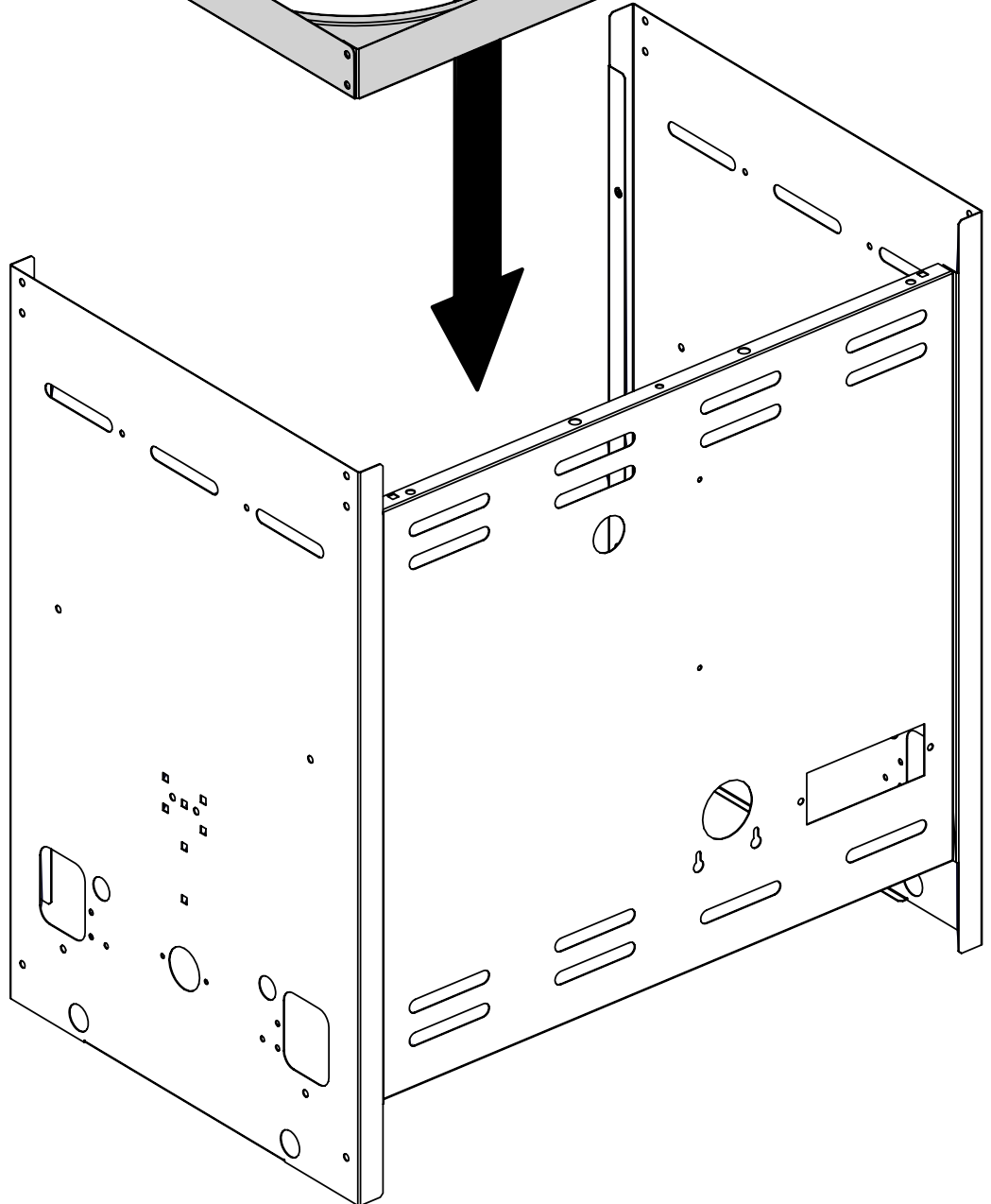
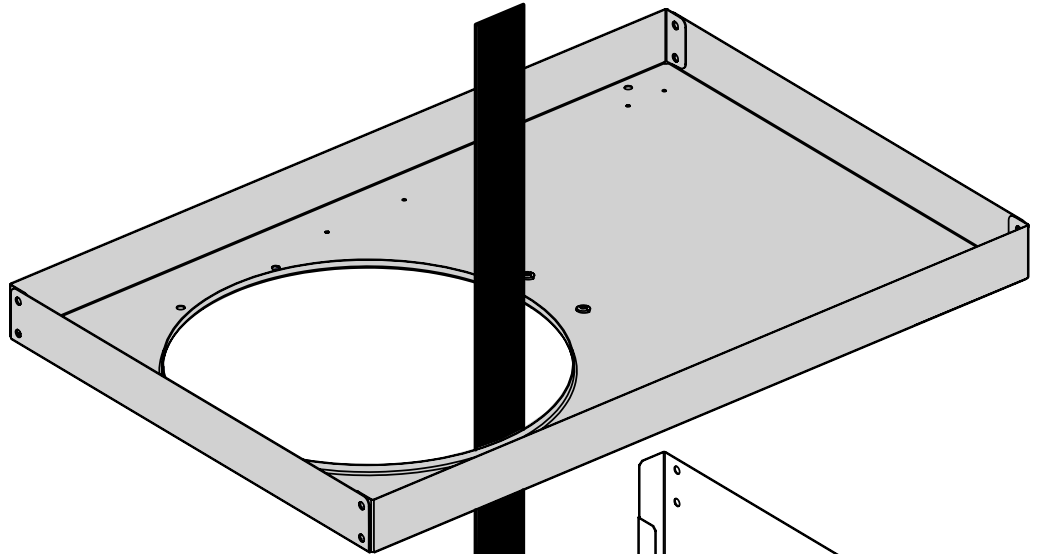
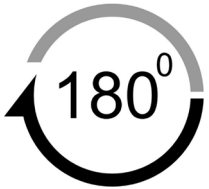
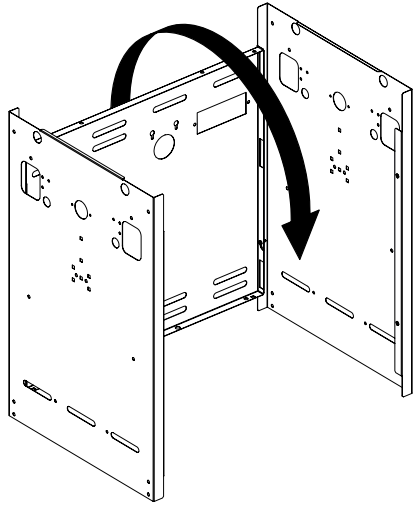
TOOLS REQUIRED



1

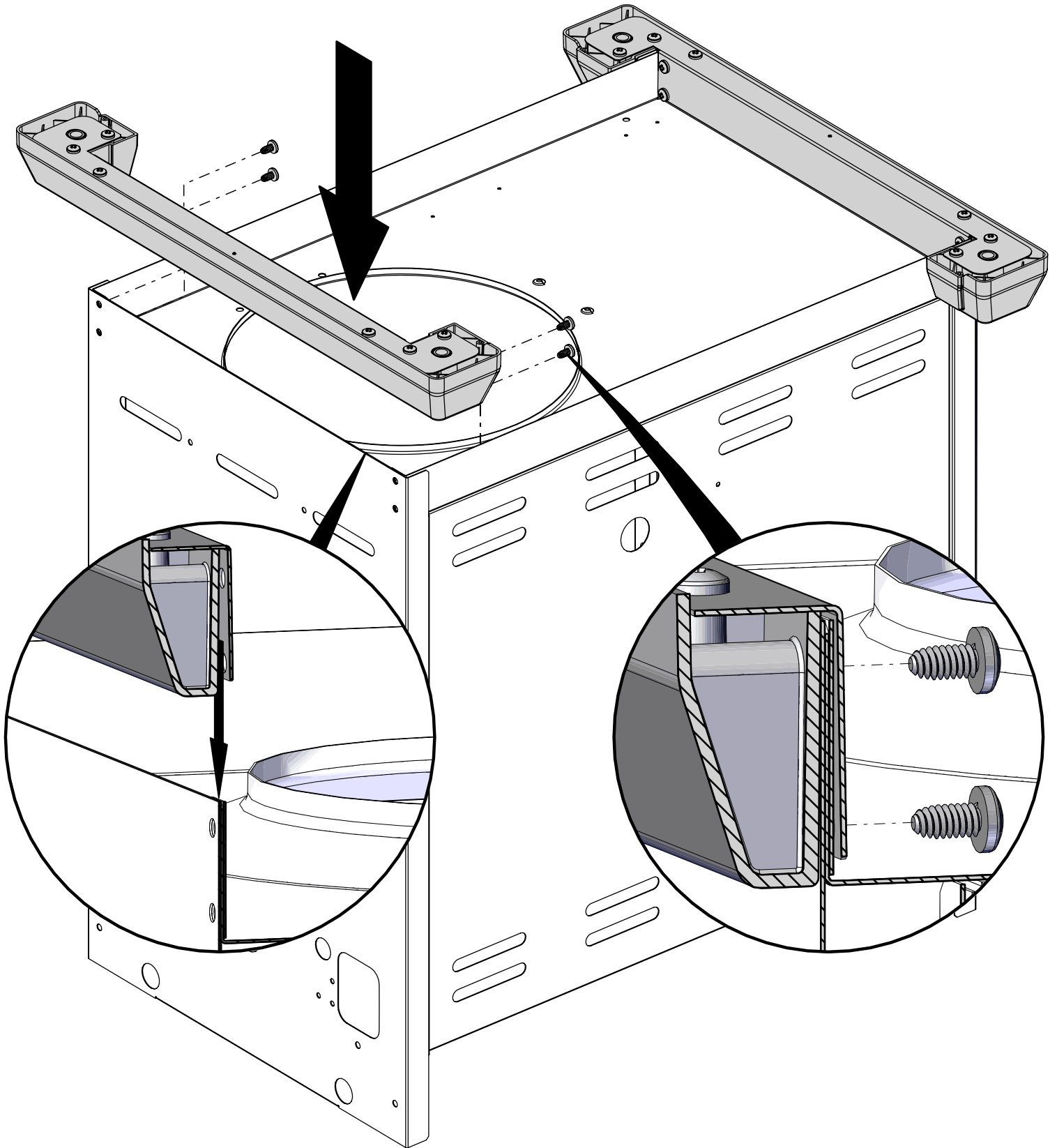
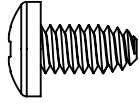


2

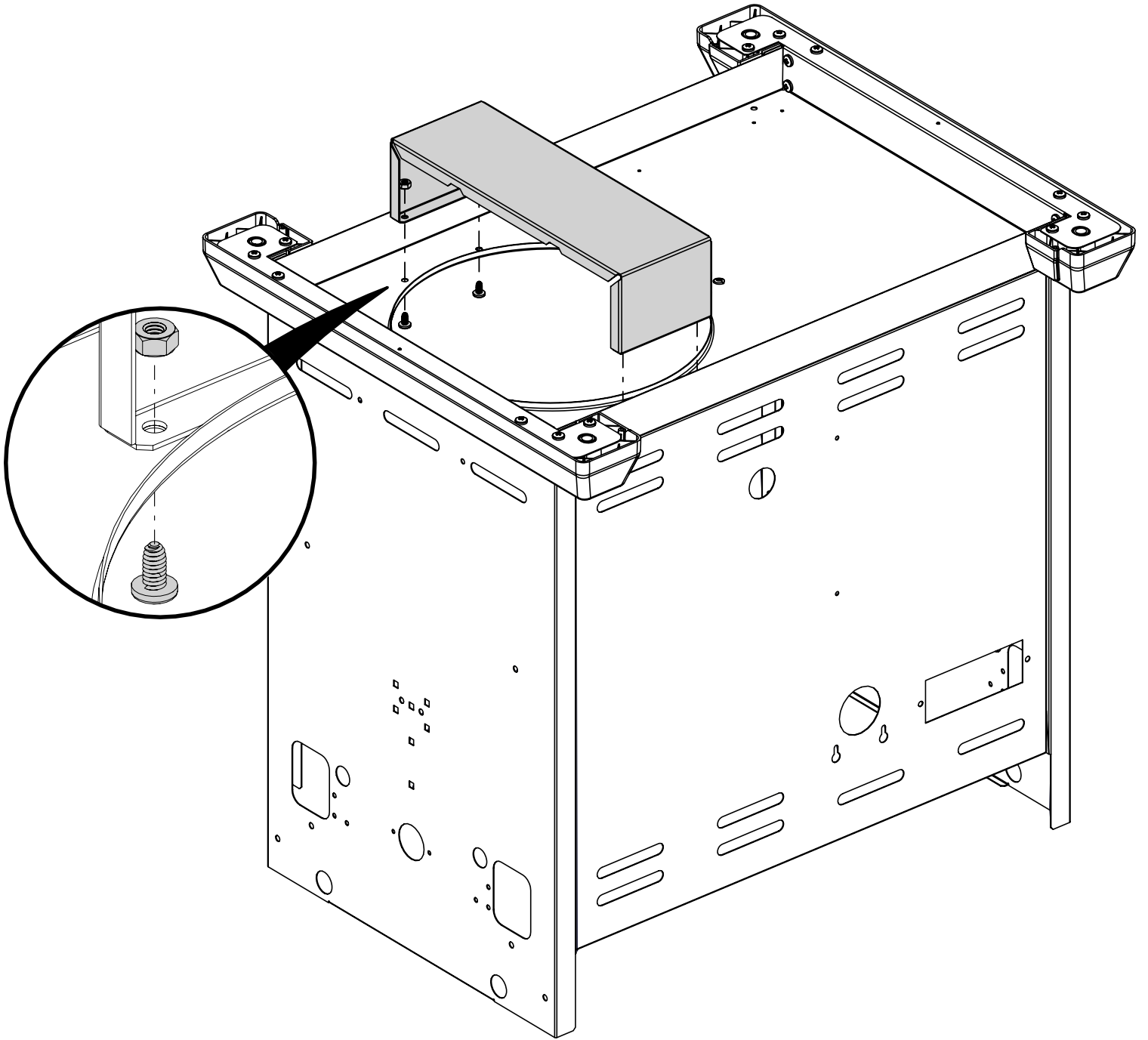
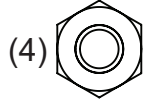
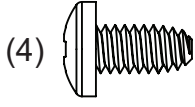


3

(8)

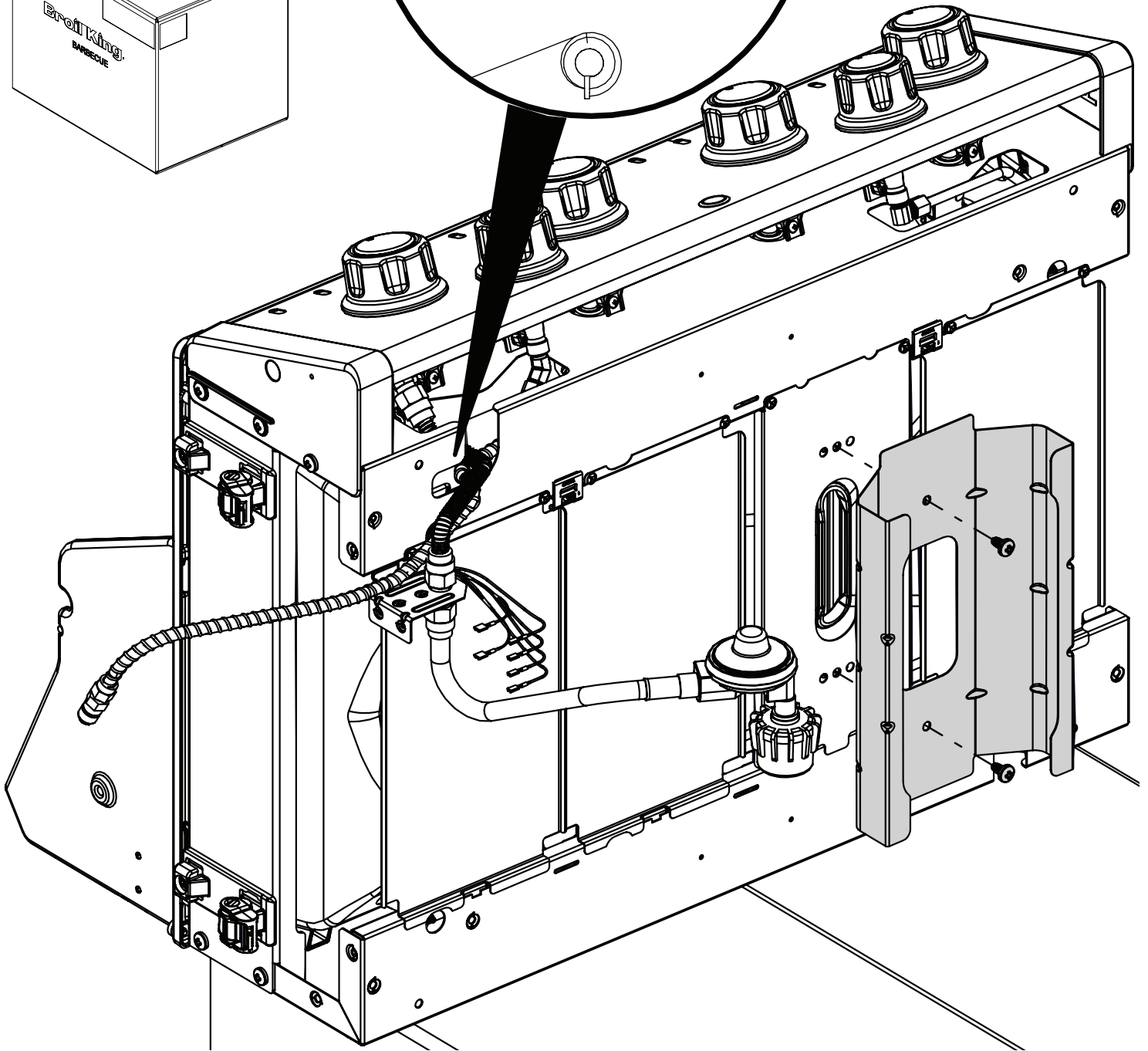
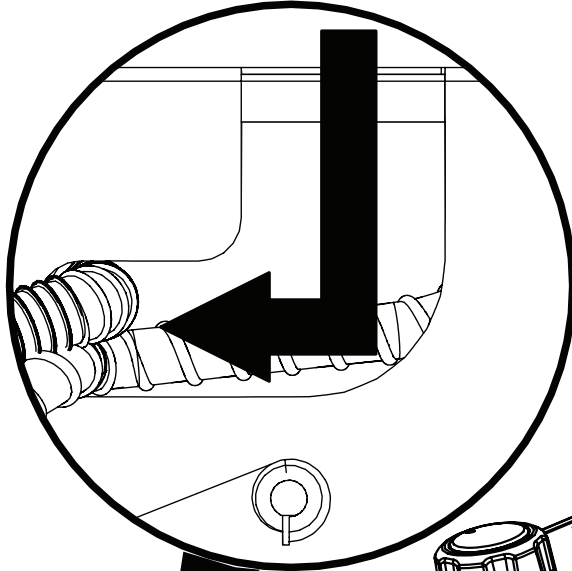
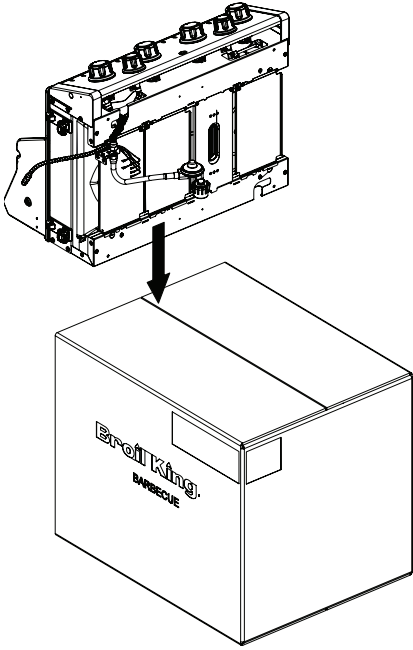
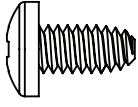


4



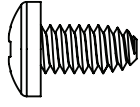
5

(2)

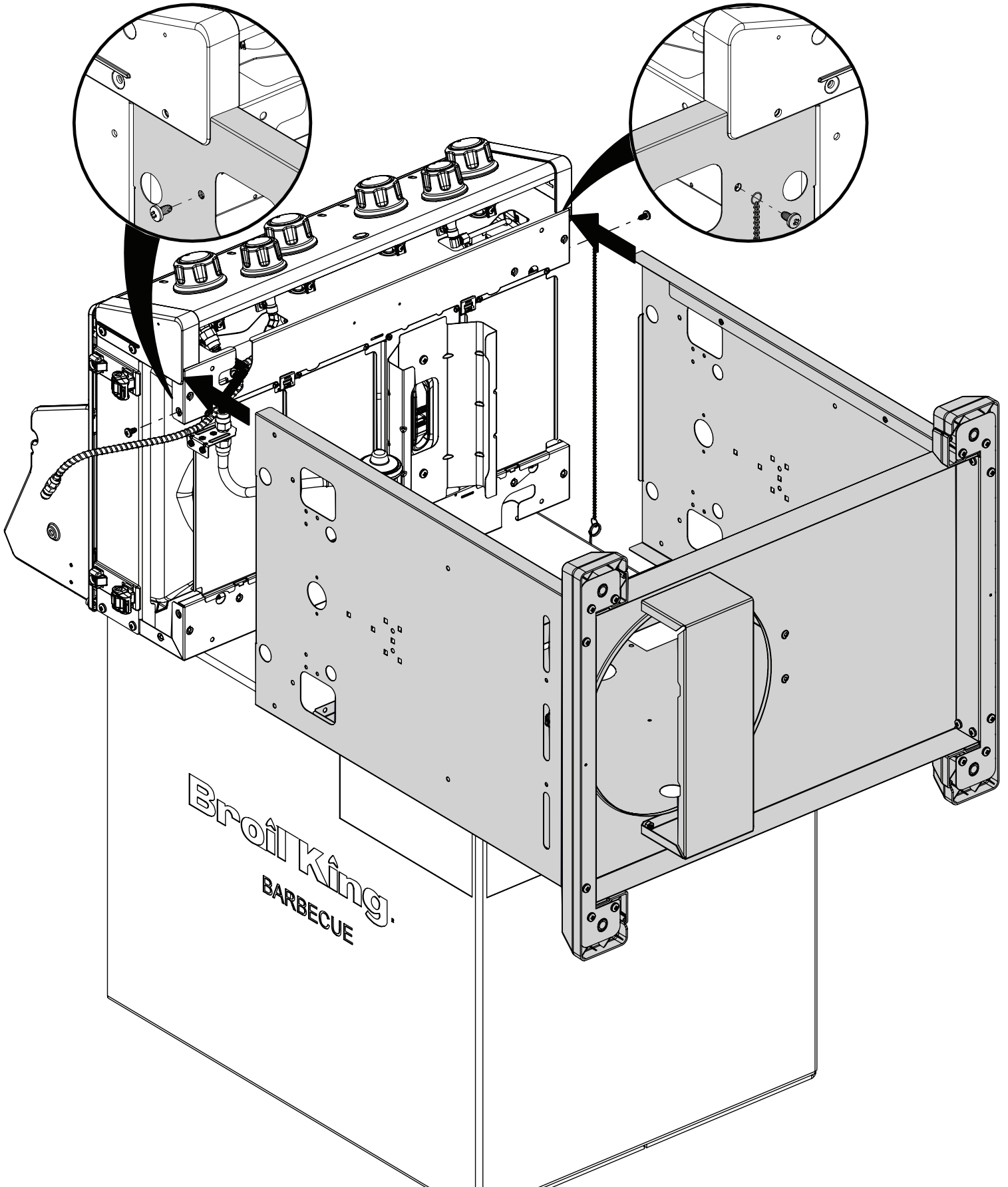


6

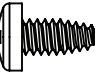
(2)

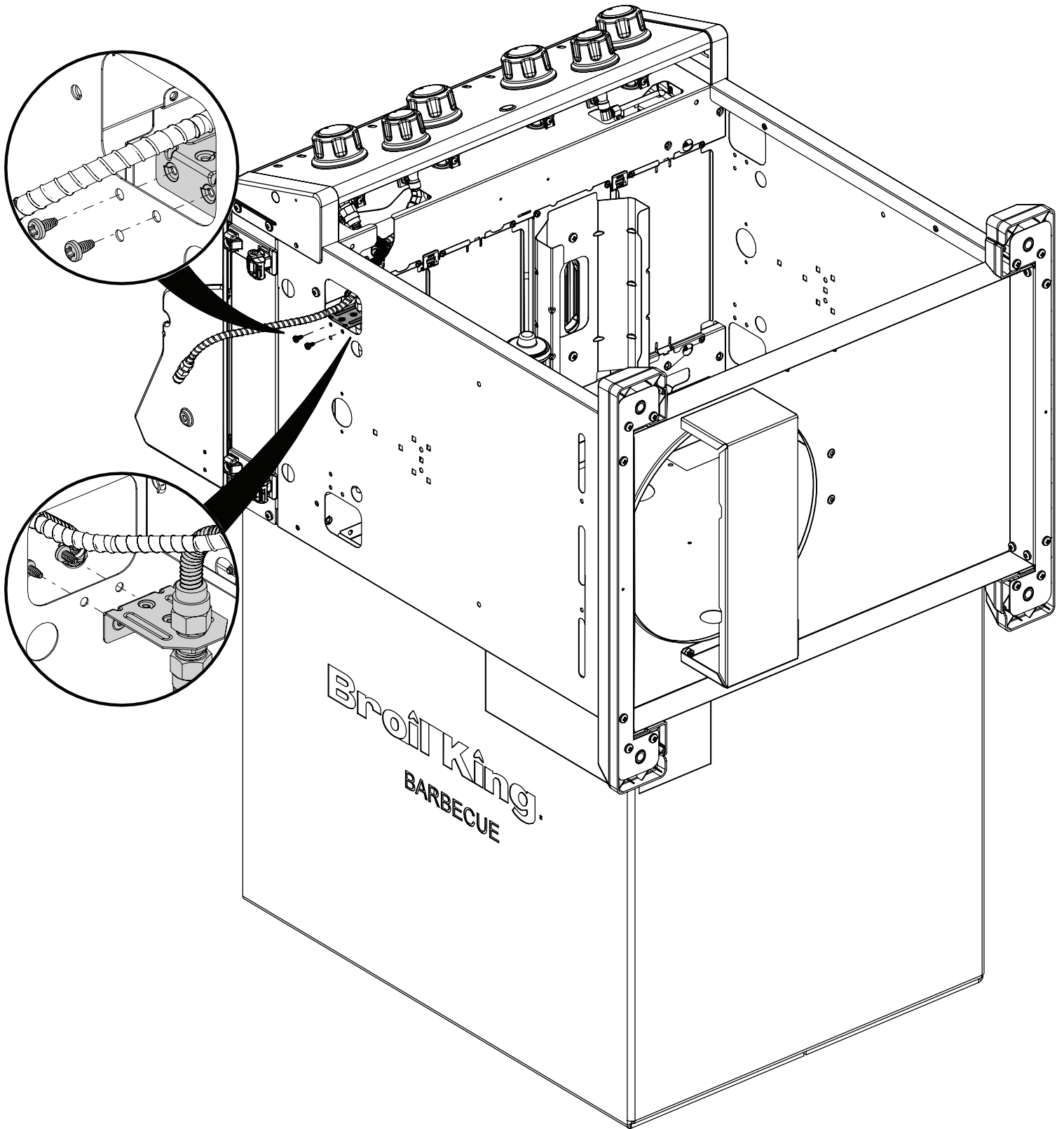


(1)

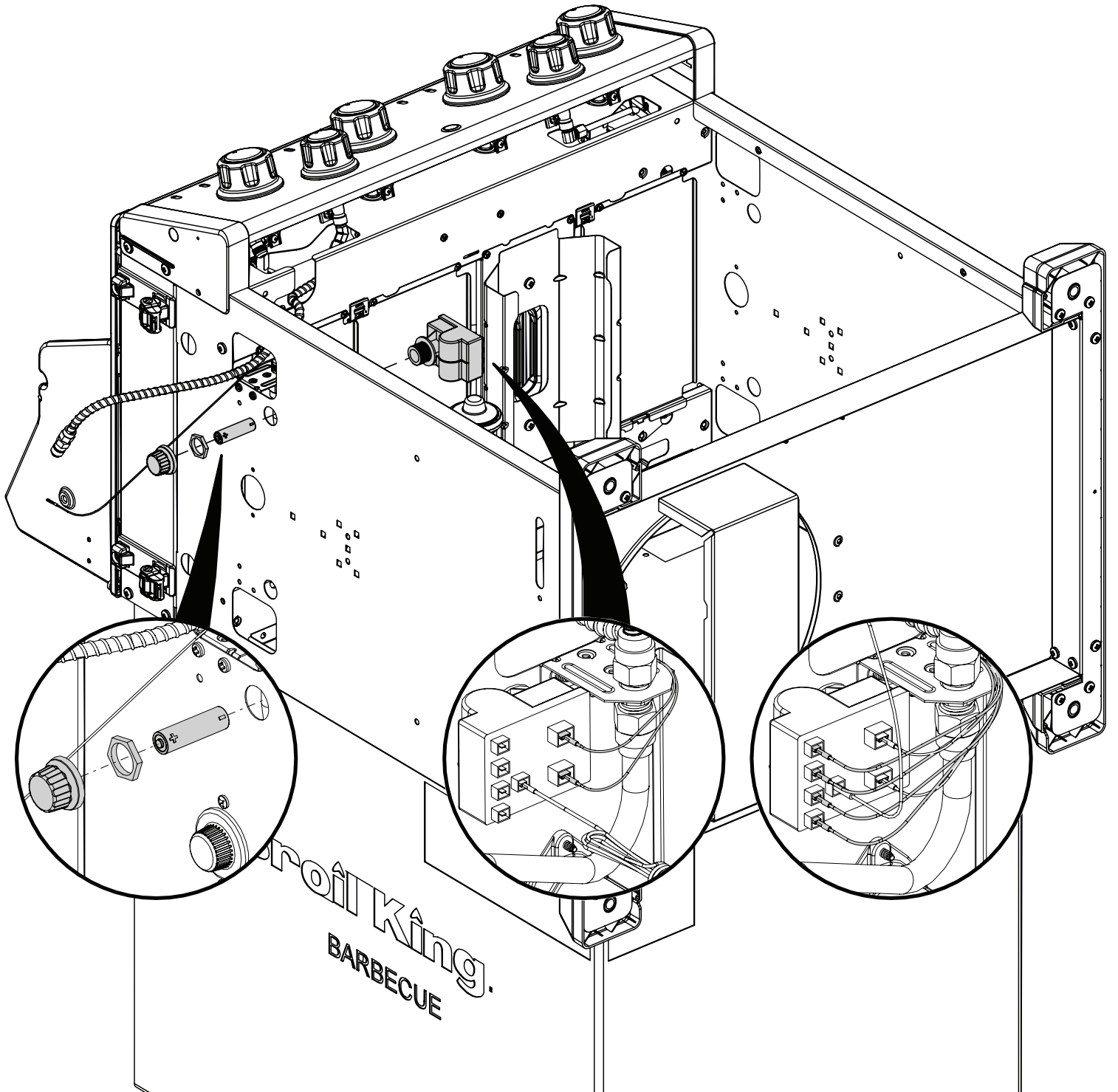
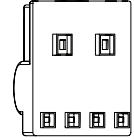
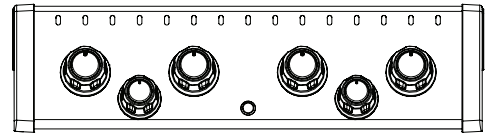
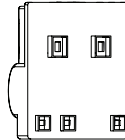
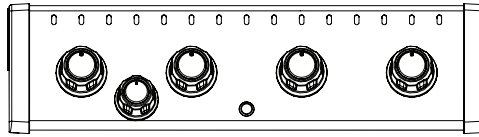
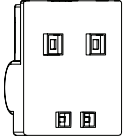
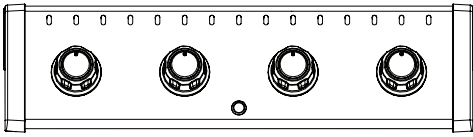


7

(2) 



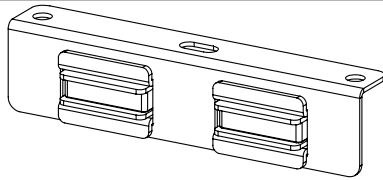
8



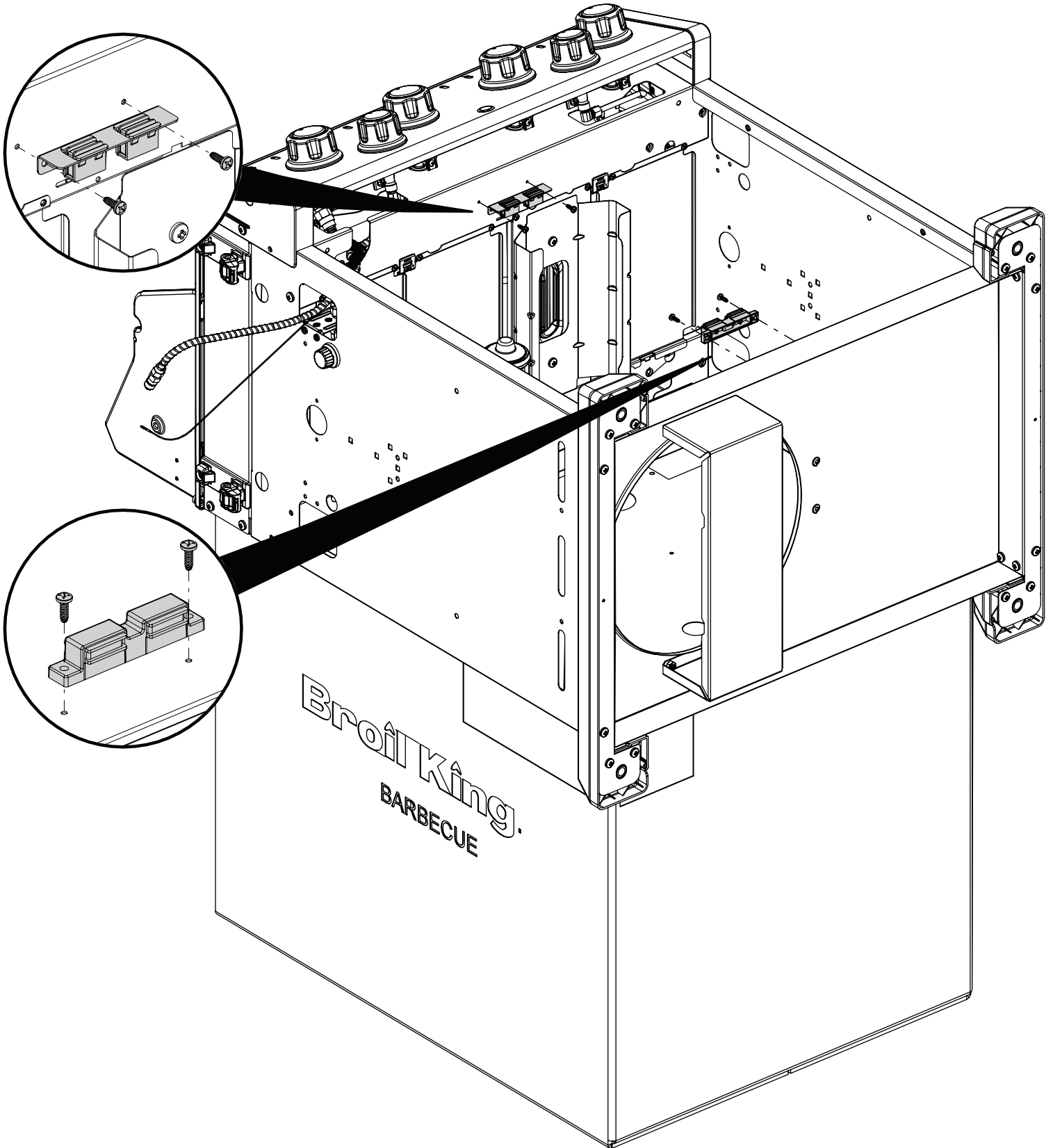
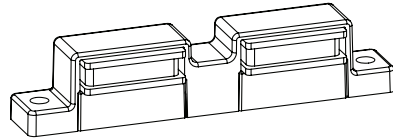
9

(4) 

(1)

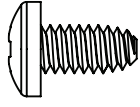


(1)

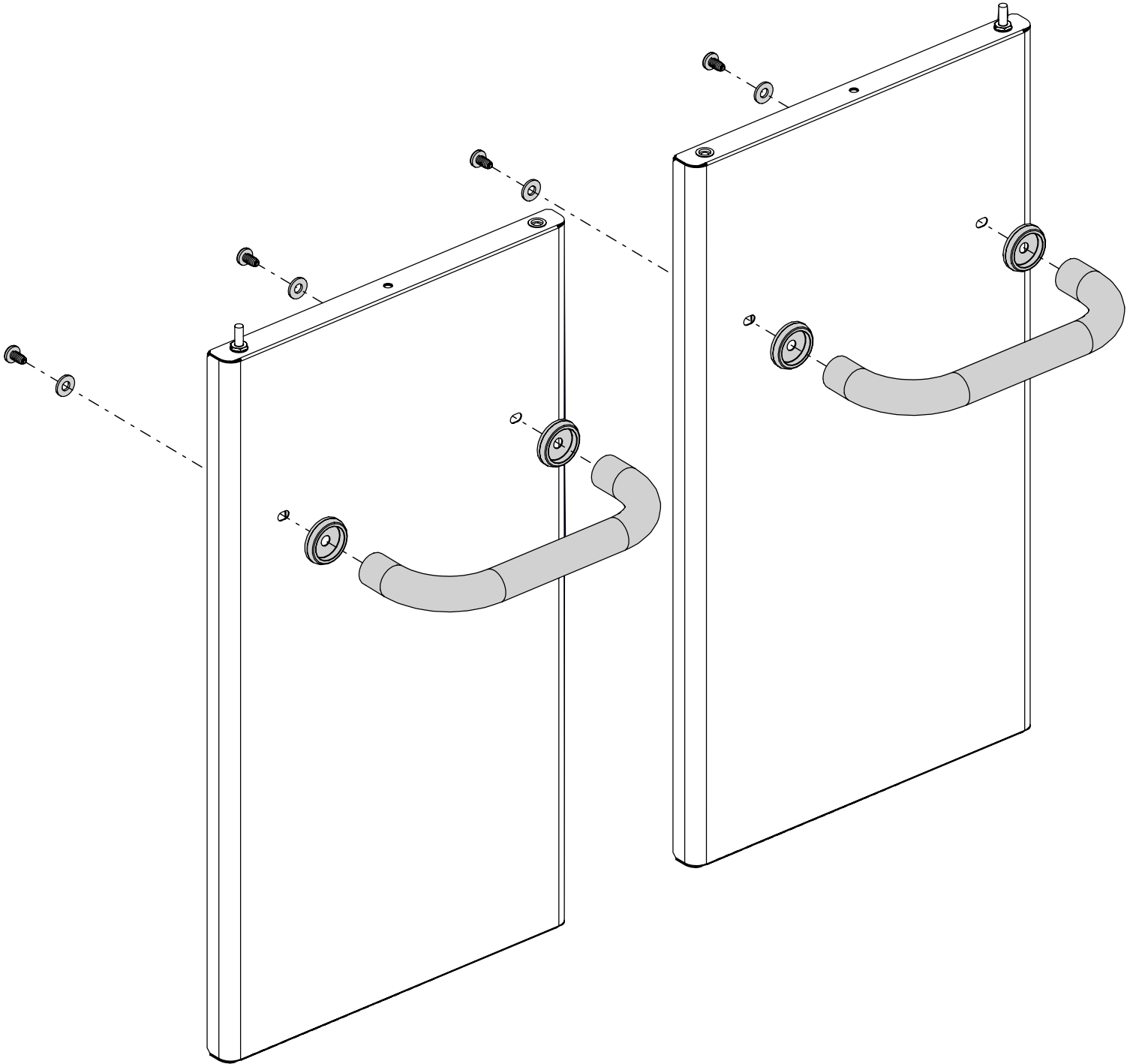
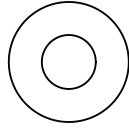


10

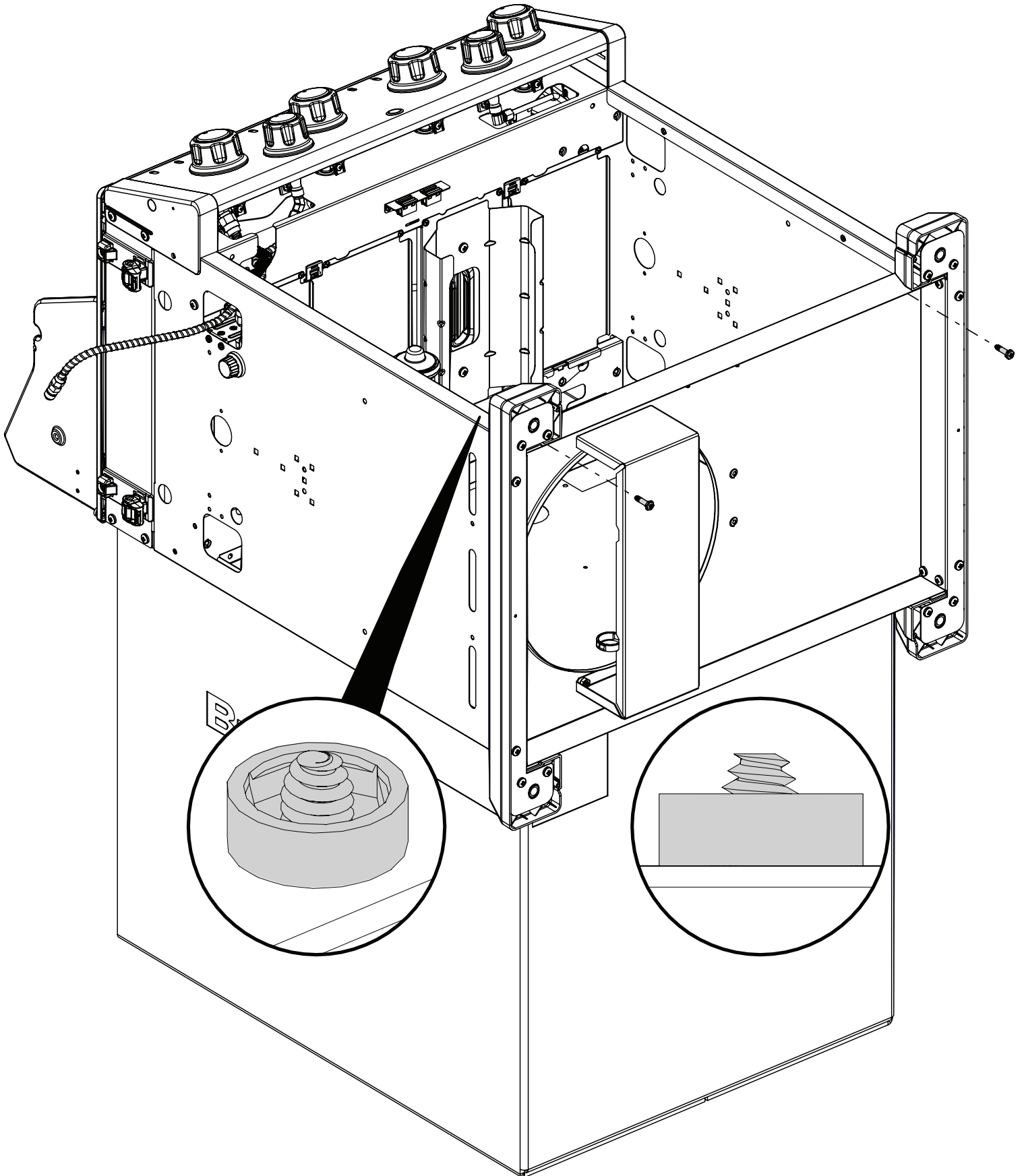
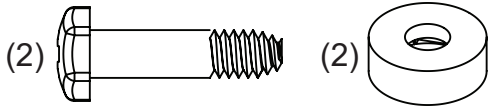
(4)

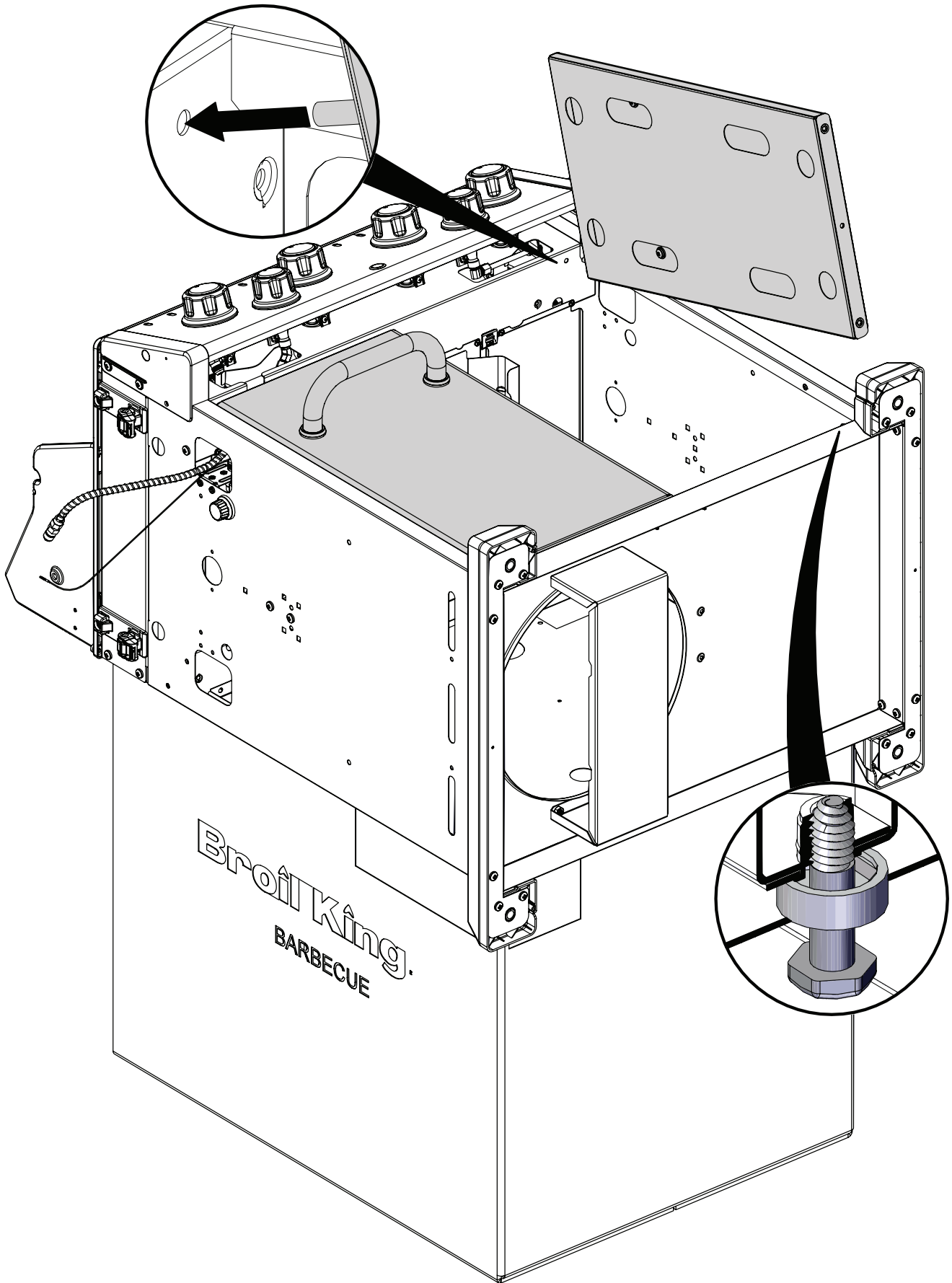


(4)



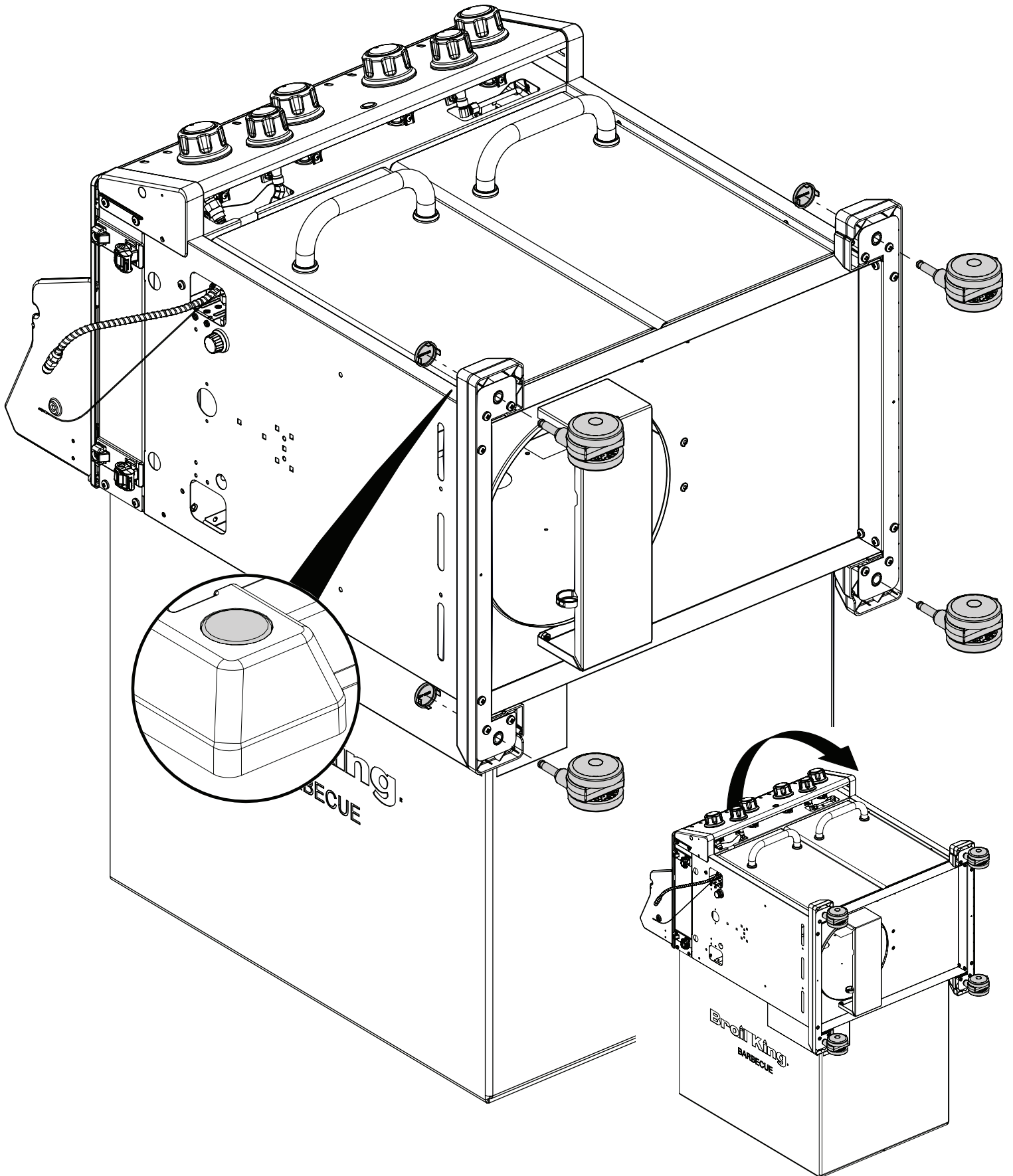
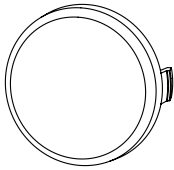
11





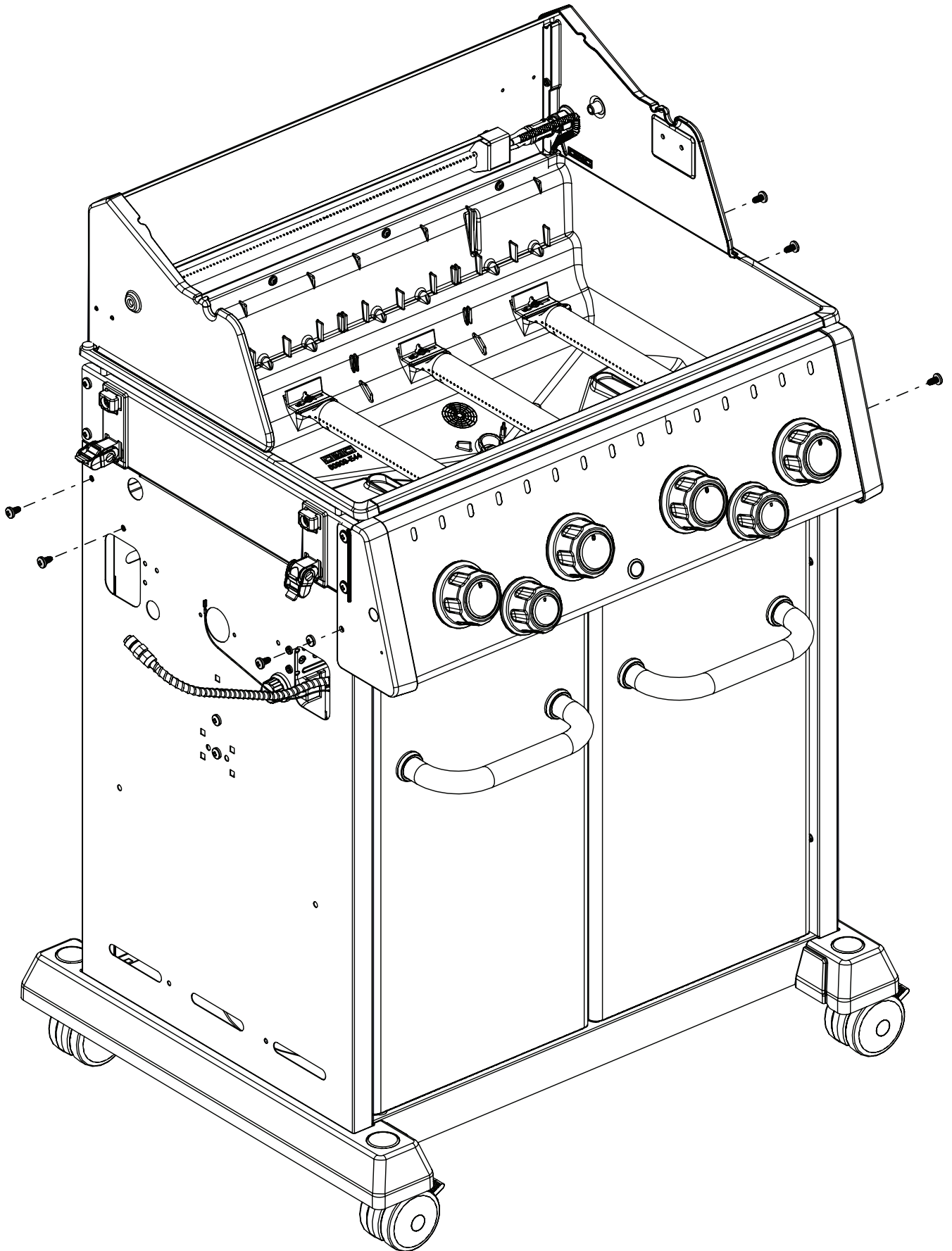
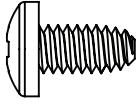
13

(4)

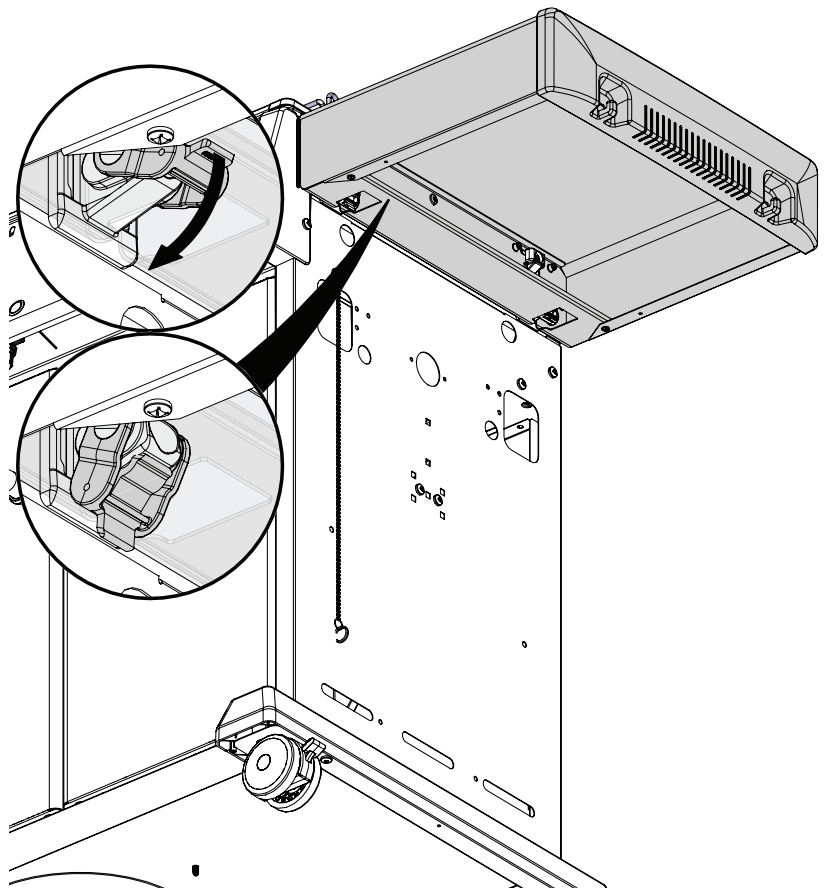
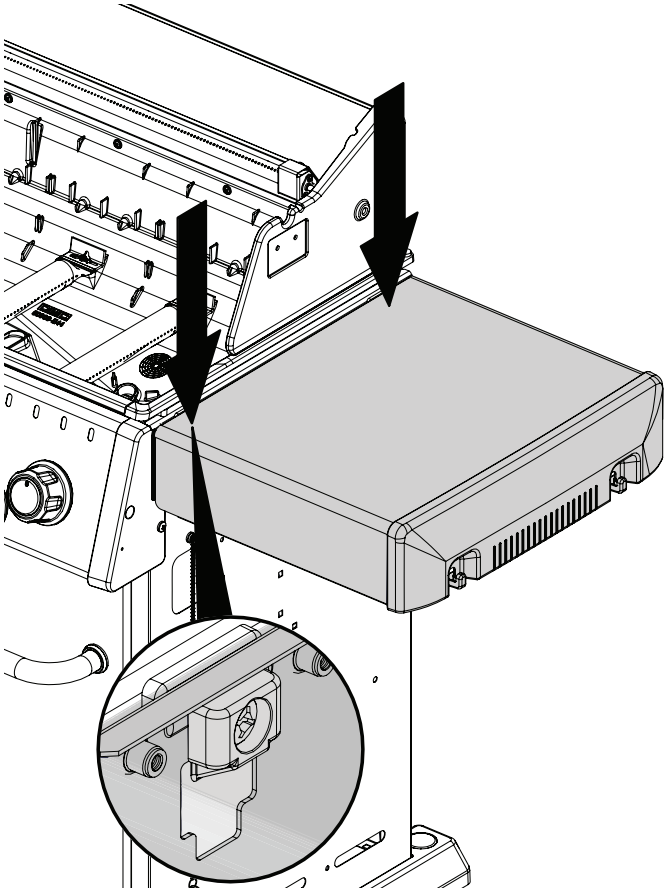
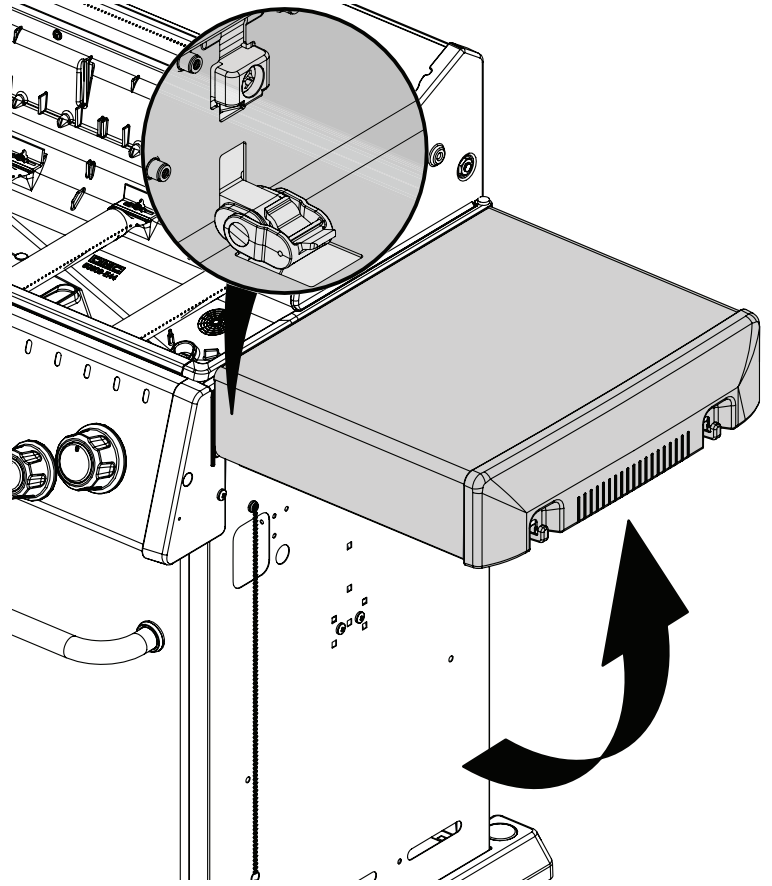
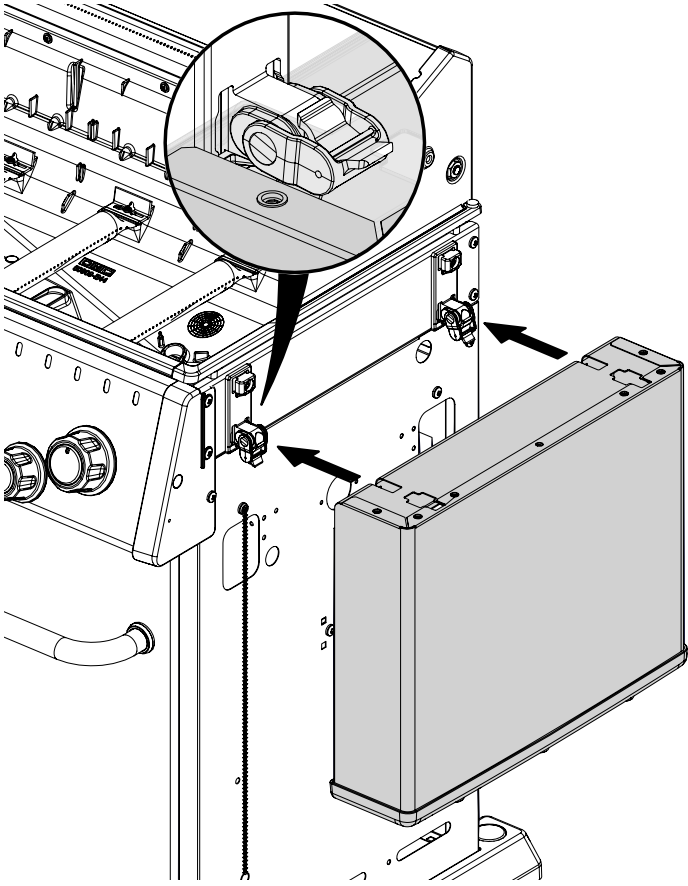


14

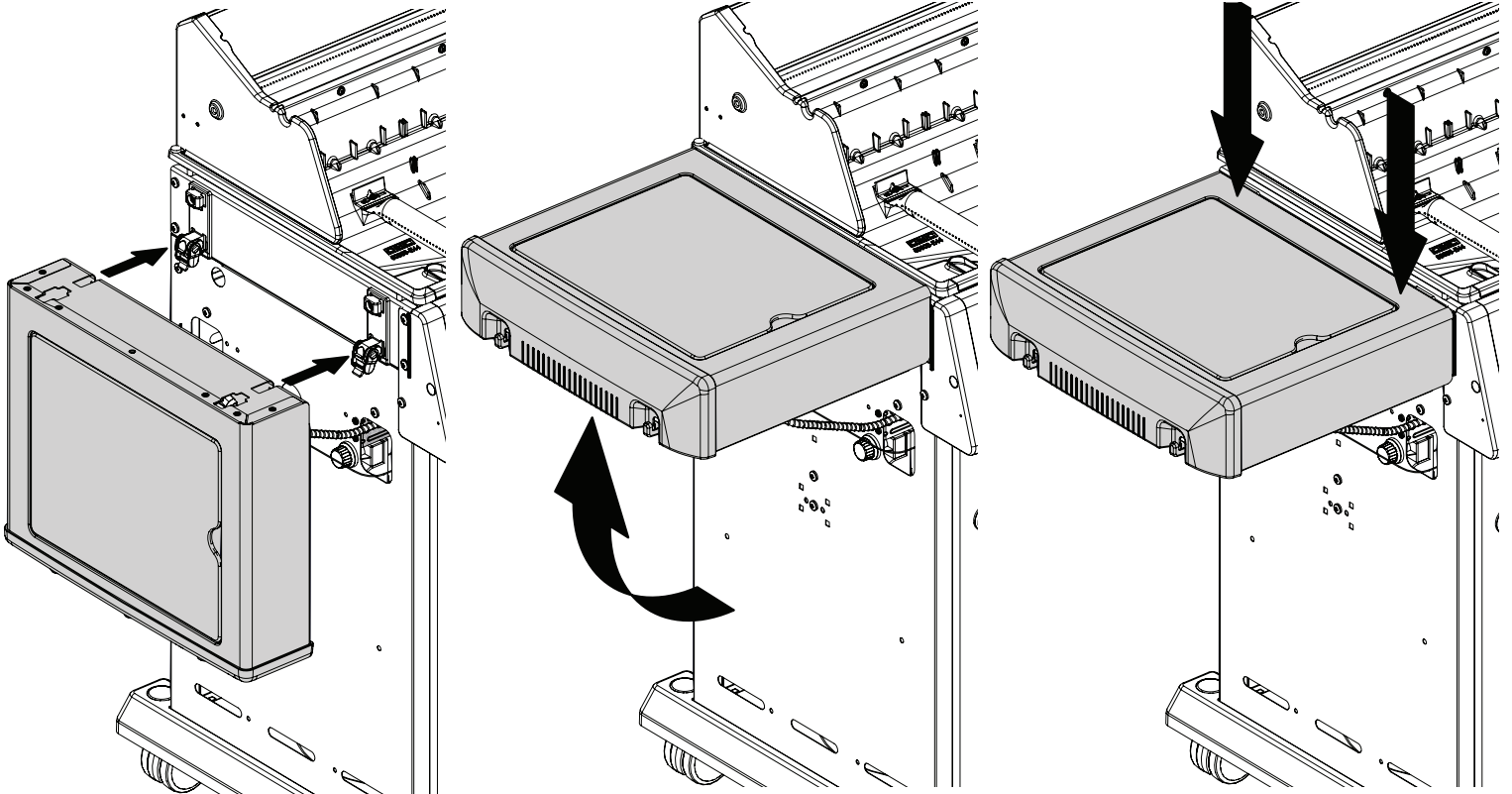
(6)



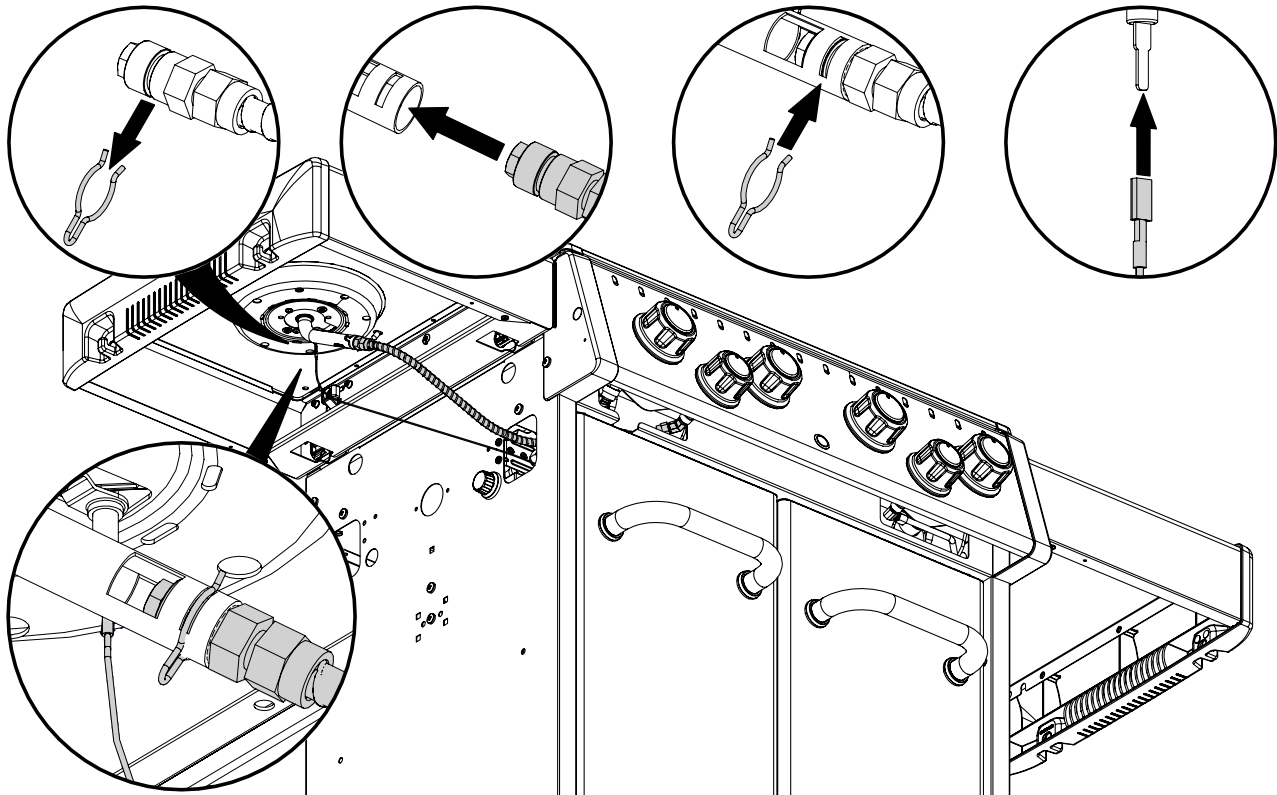
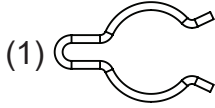
15



16

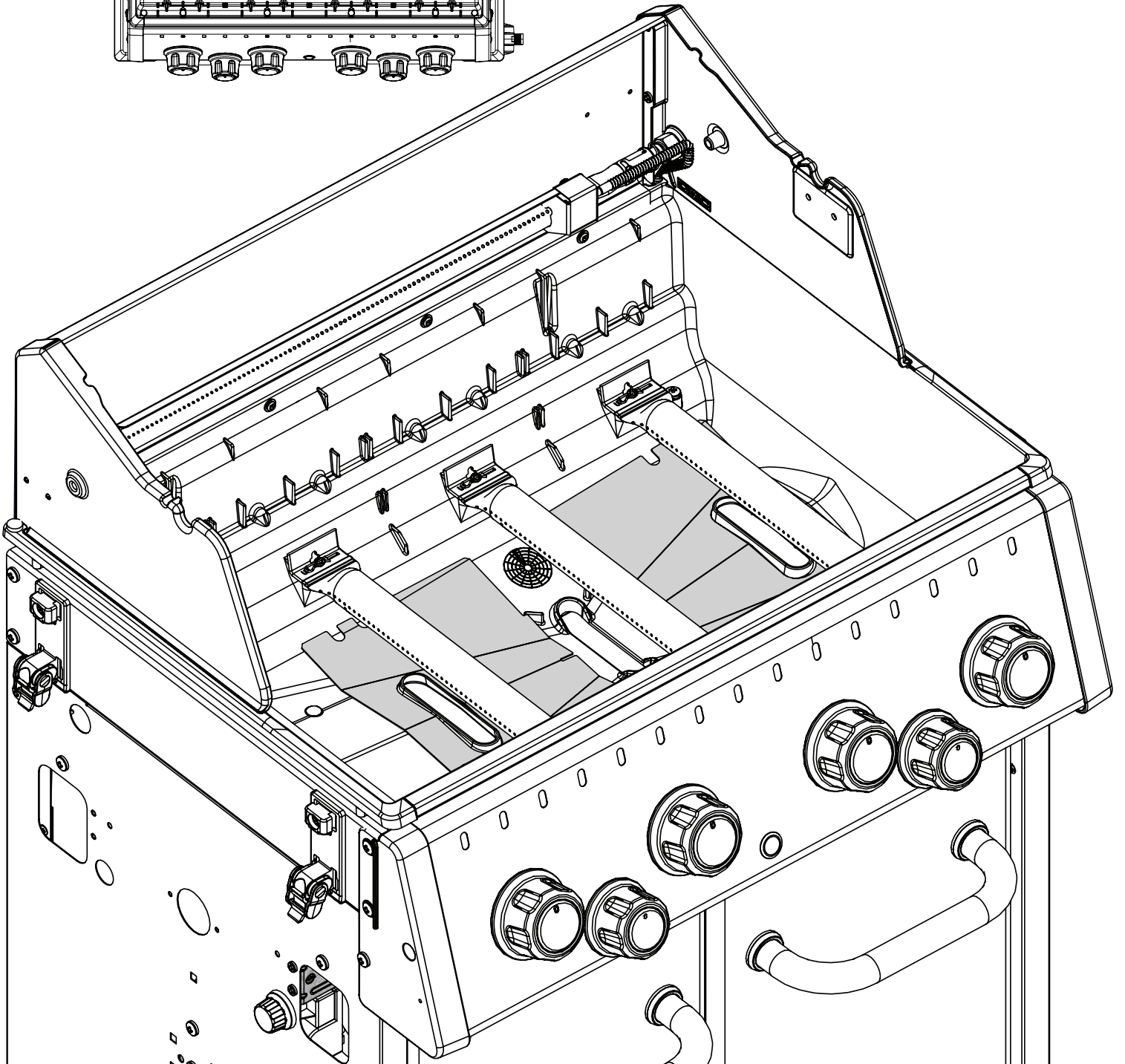
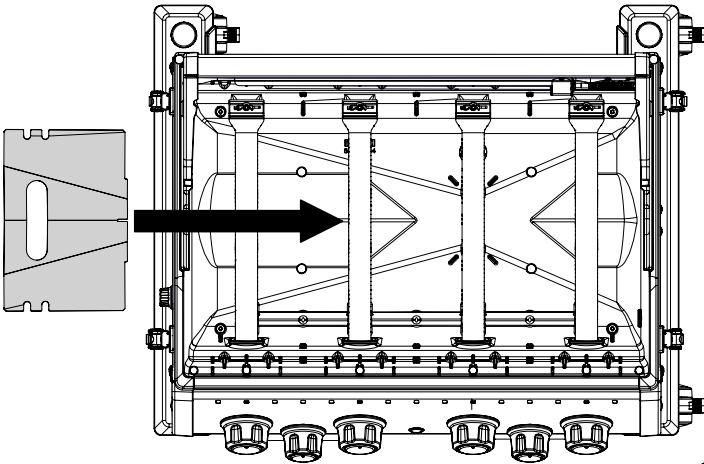
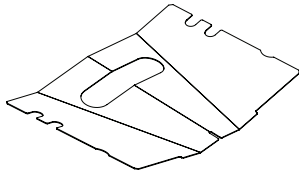


17



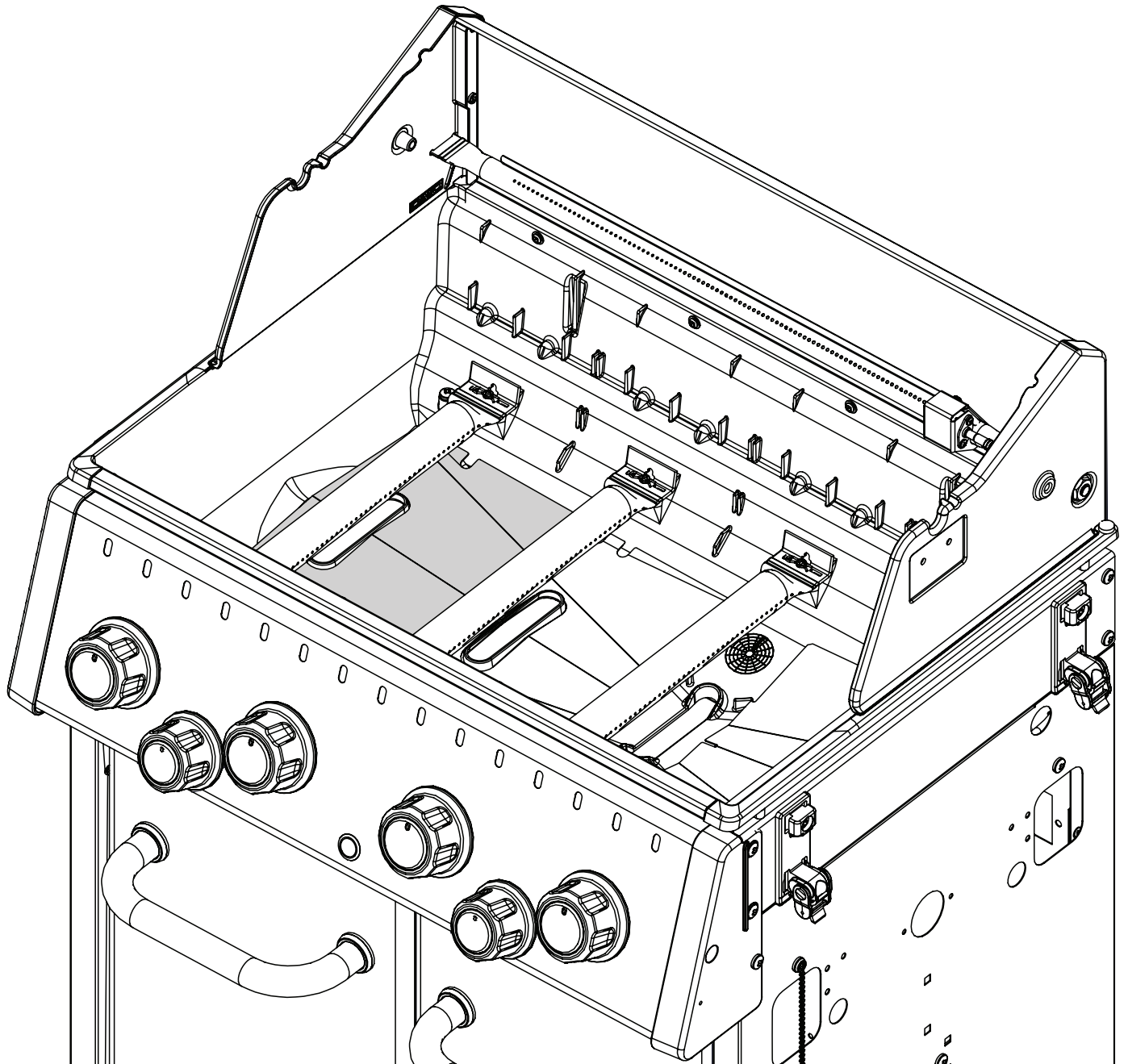
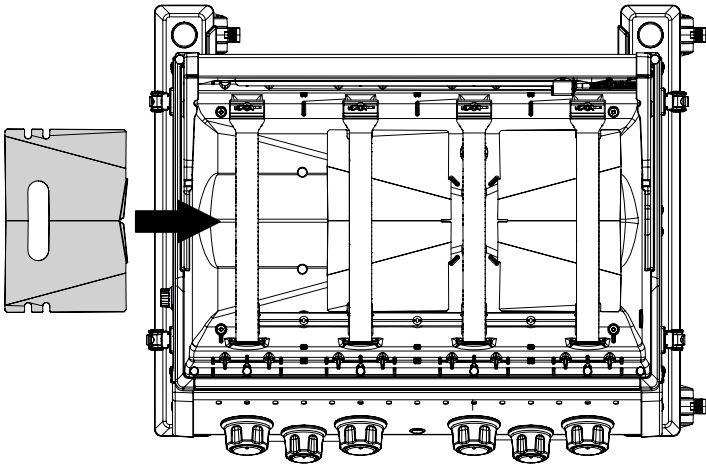
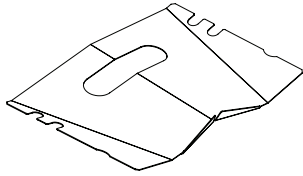
18

(2)



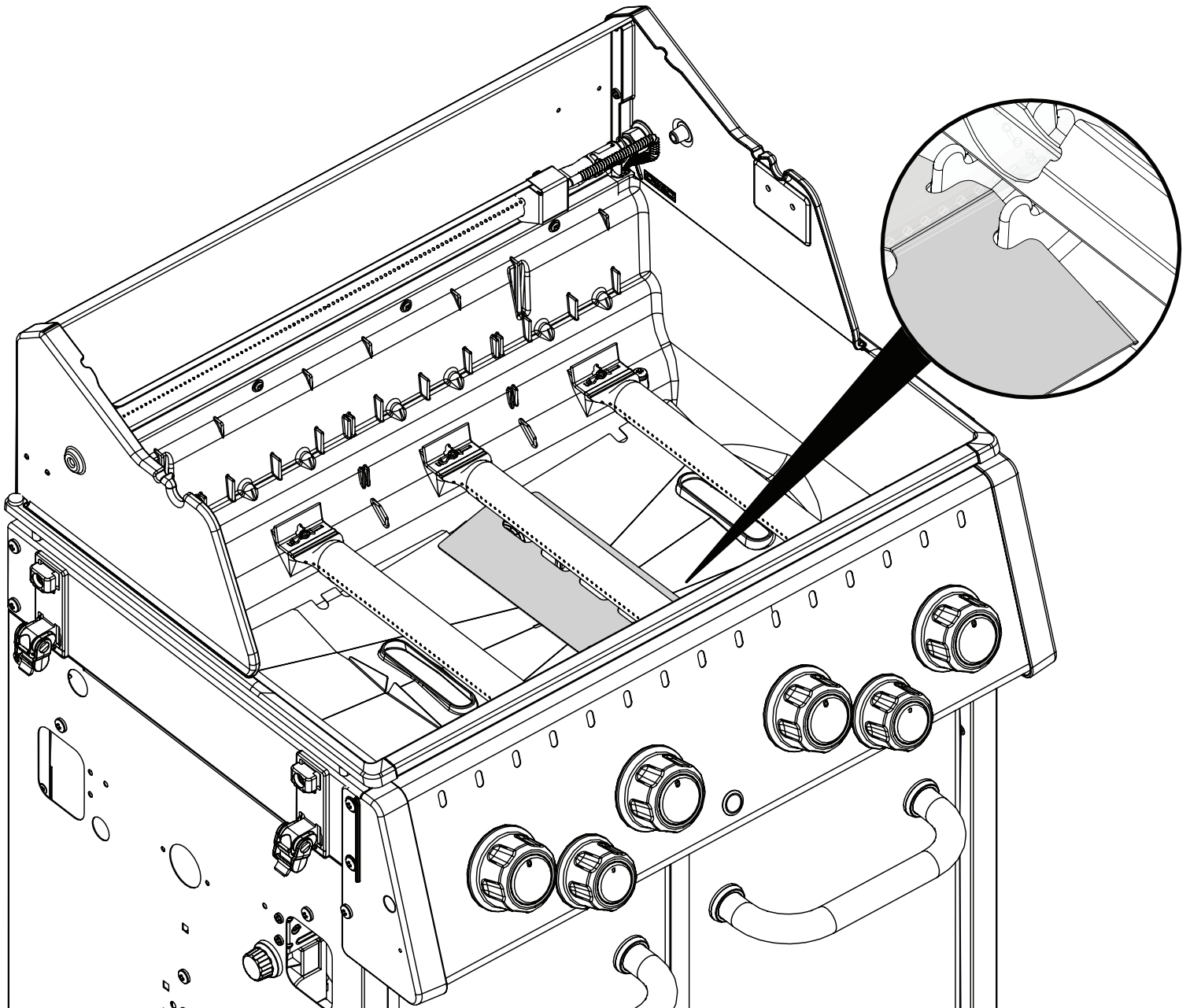
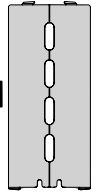
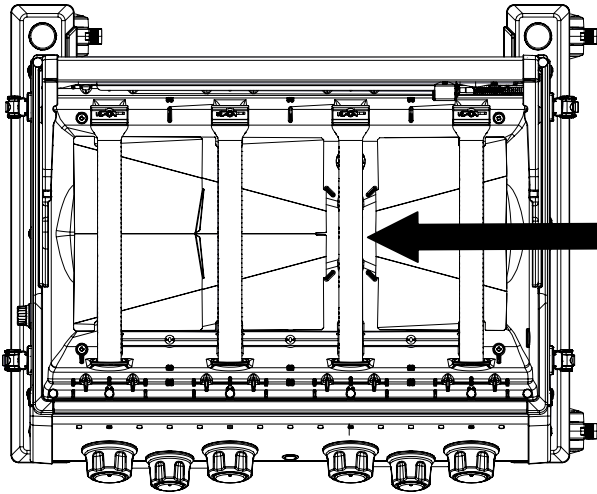
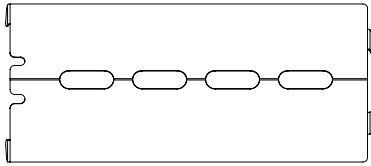
19

(1)

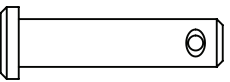
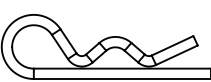


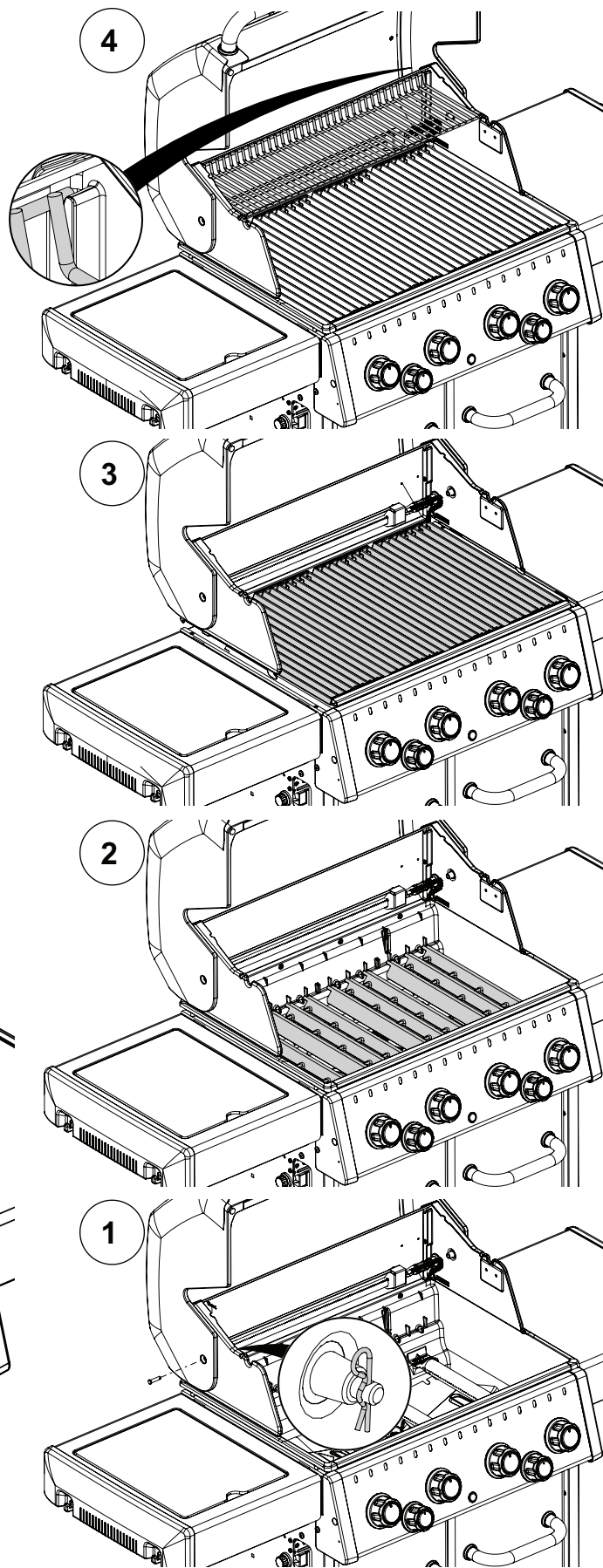
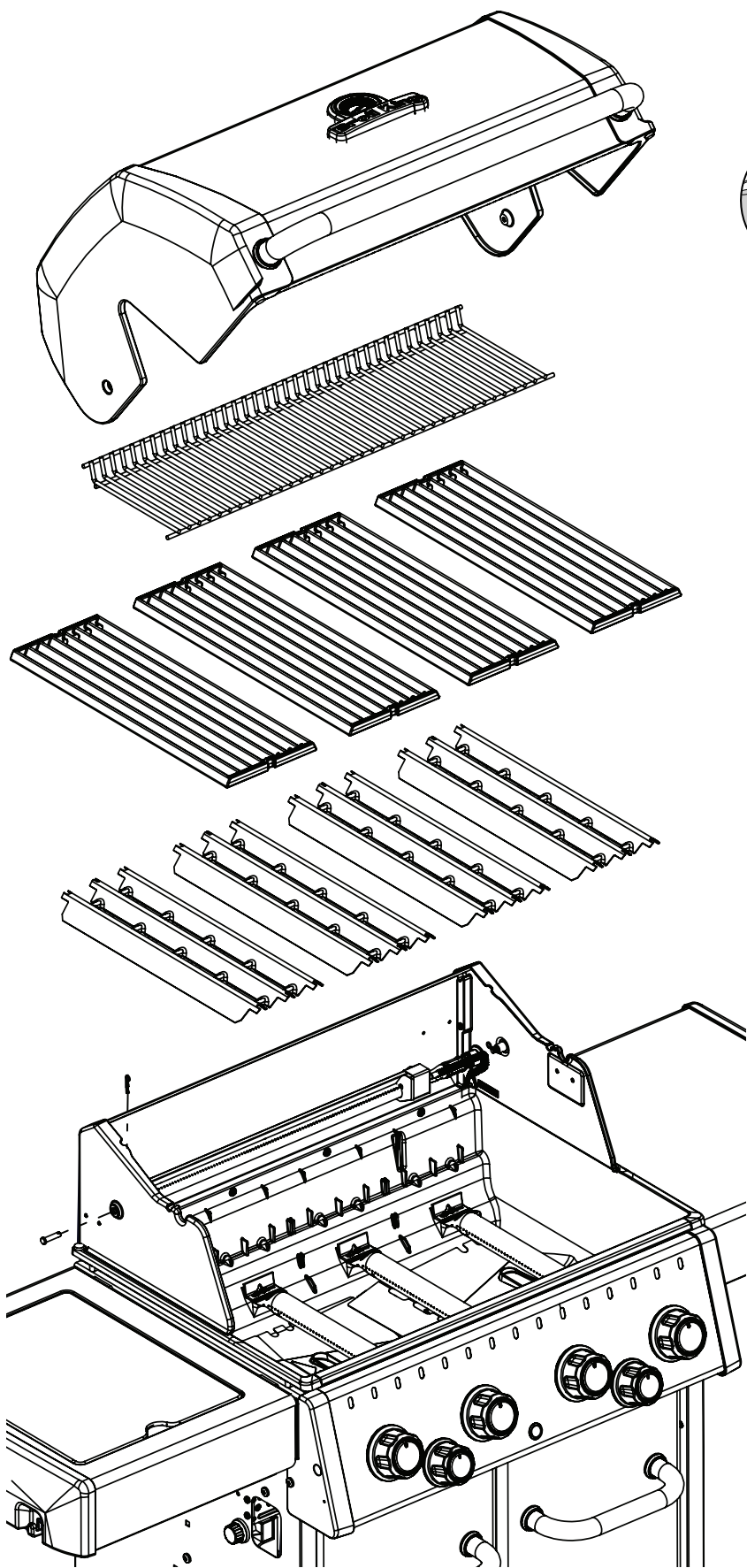
20

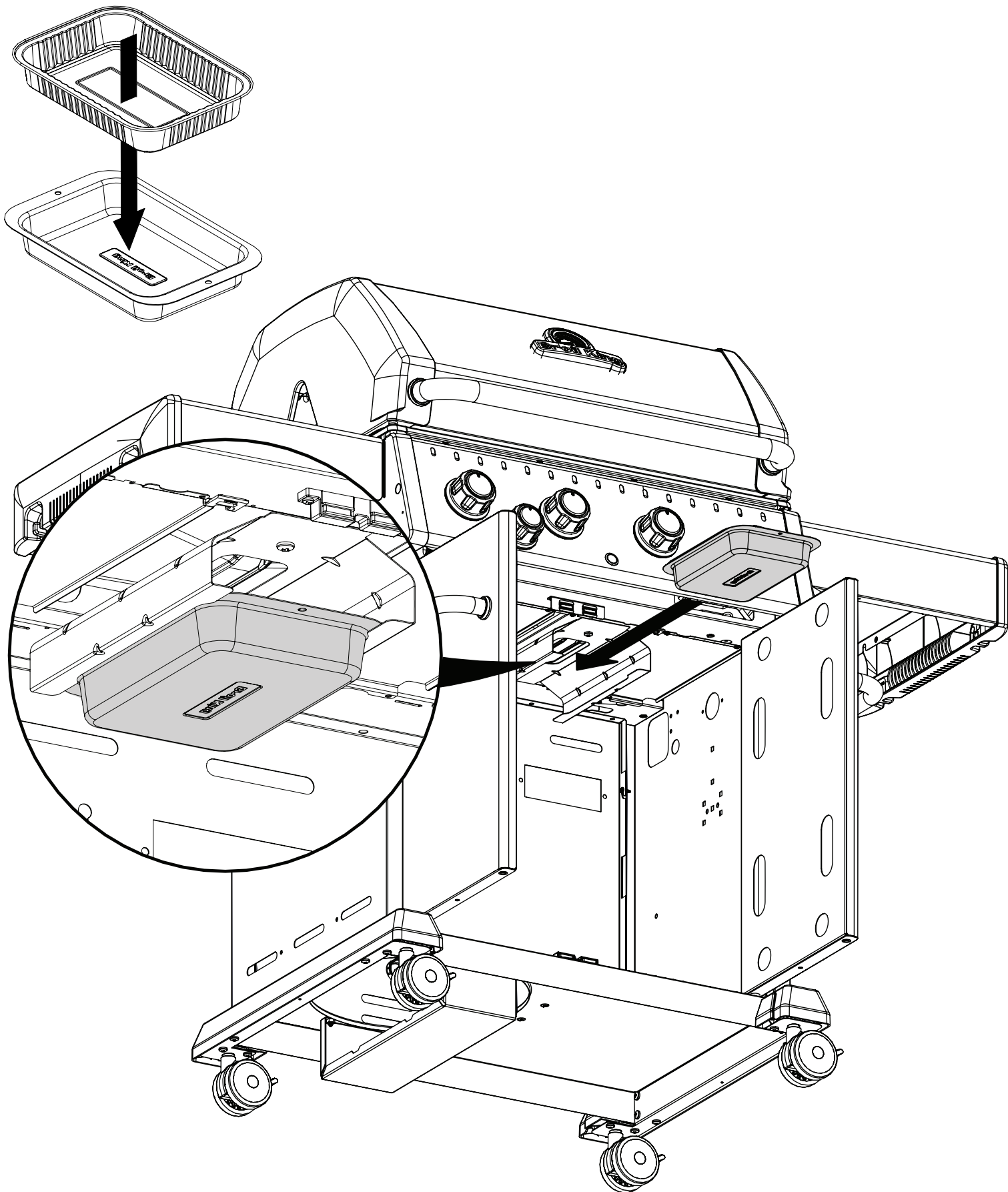
(1)



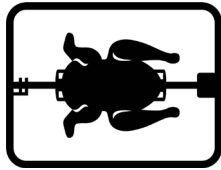
21

- (2) 
- (2) 

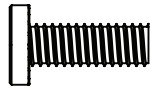




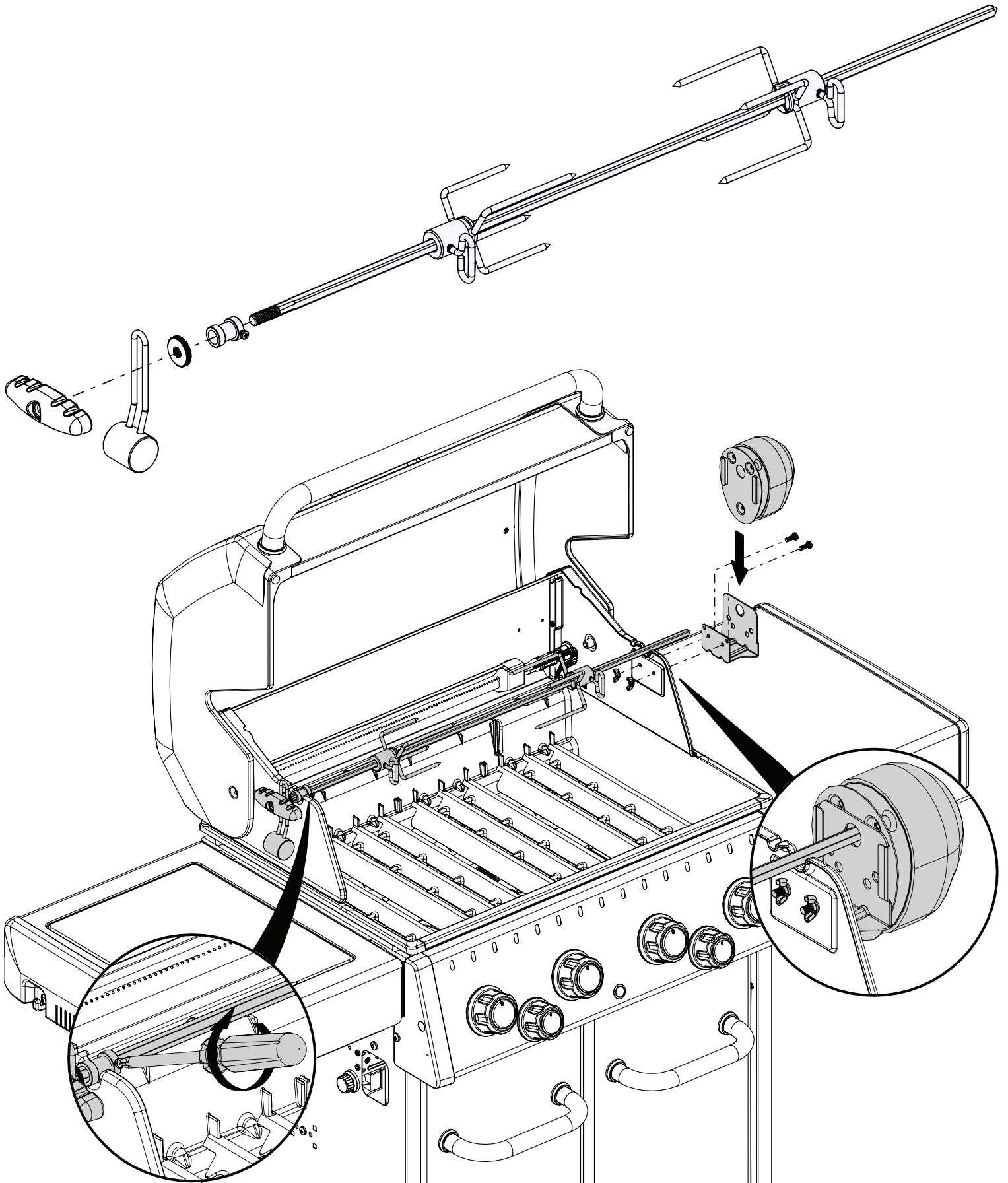
23

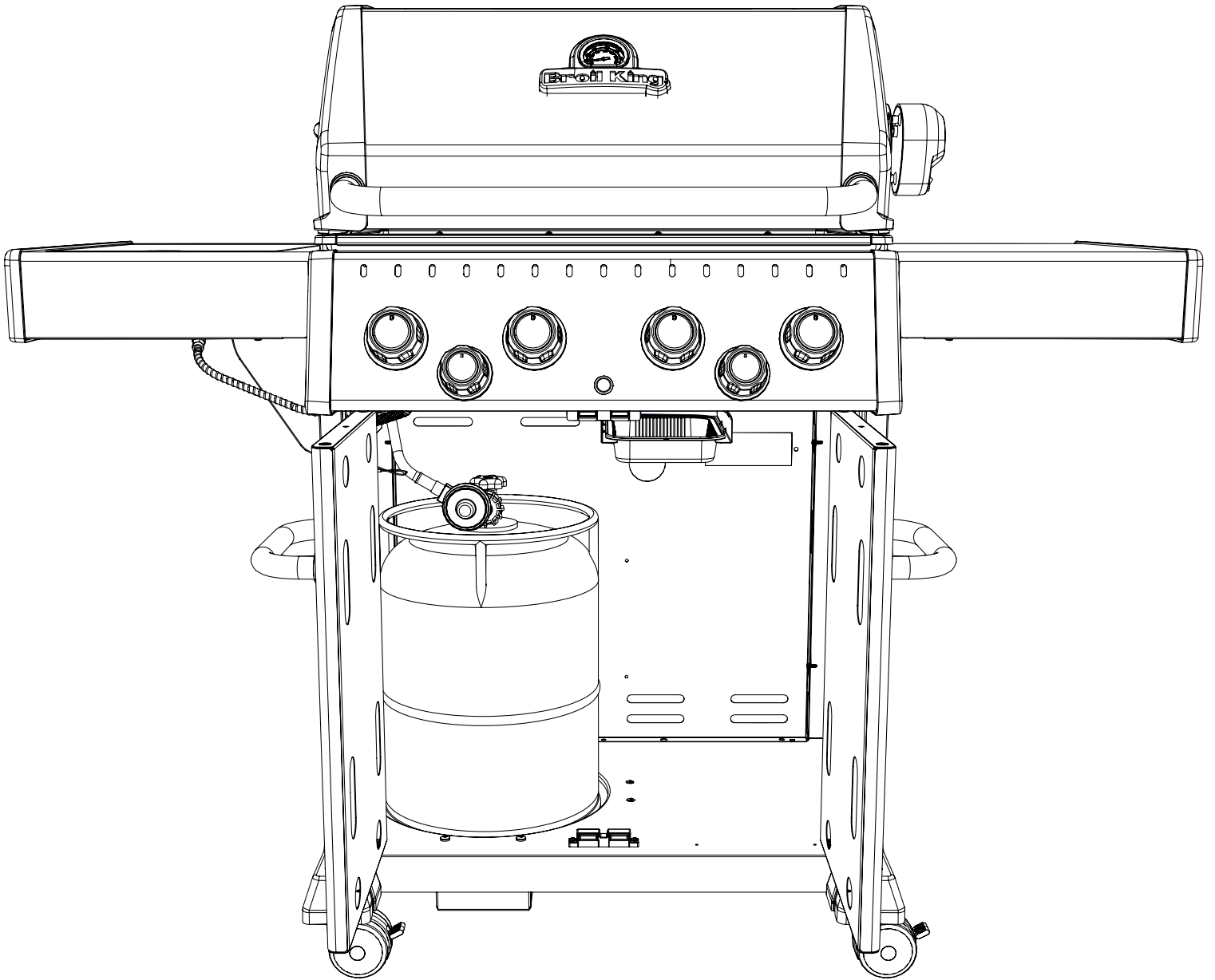


(2)

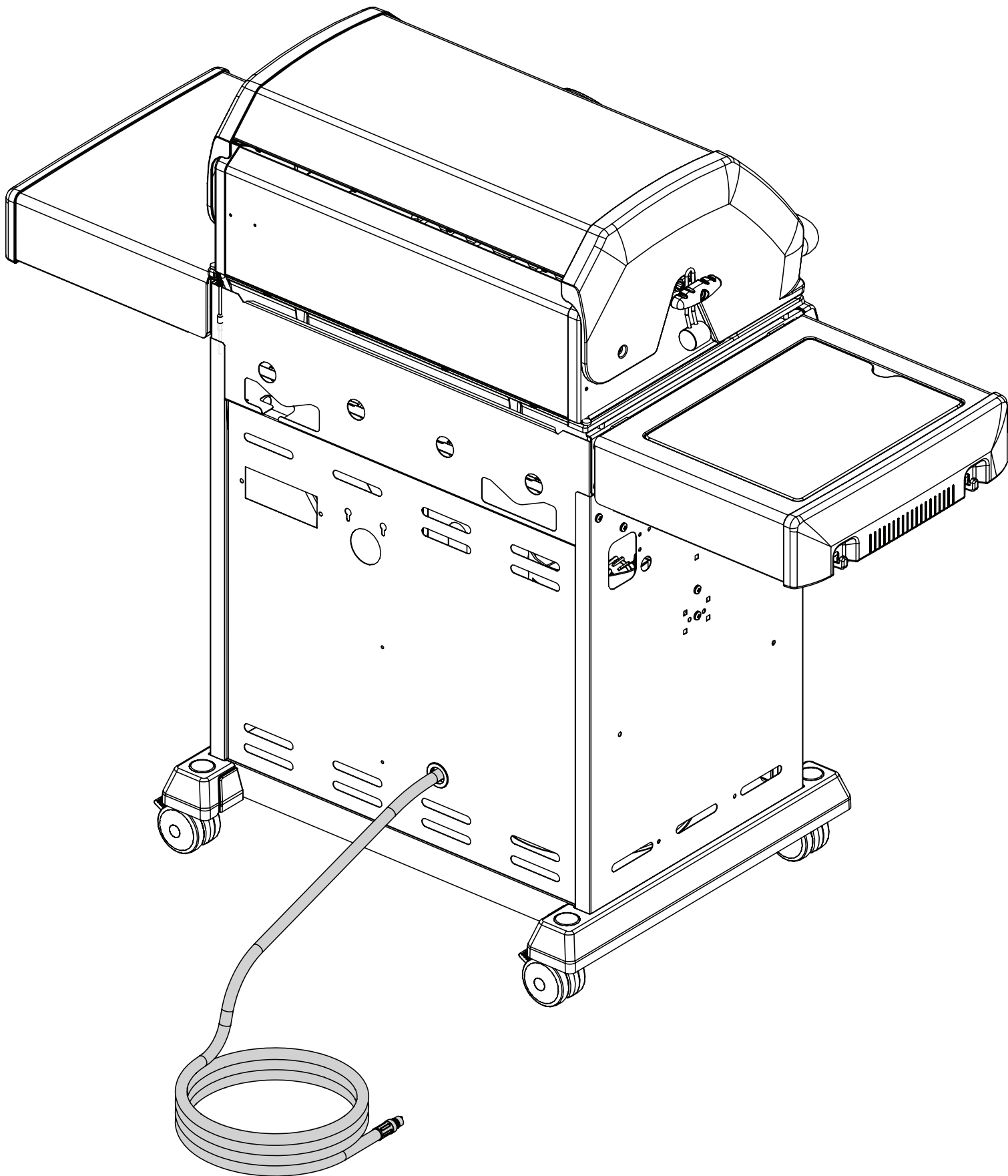


(2)





25



PARTS LIST / LISTE DES PIÉCES

| KEY # | ITEM # | DESCRIPTION | 8652-52 | 8652-53 | 8652-62 | 8652-63 | 8652-82 | 8652-83 | 8653-52 | 8653-53 | 8653-62 | 8653-63 | 8653-82 | 8653-83 |
|-------|-------------|------------------------|---------|---------|---------|---------|---------|---------|---------|---------|---------|---------|---------|---------|
| 44A | 25070-925 | WIRE - IGNITOR | 1 | 1 | 1 | 1 | 1 | 1 | 1 | 1 | 1 | 1 | 1 | 1 |
| 44B | 25070-931 | BUTTON - IGNITOR | 1 | 1 | 1 | 1 | 1 | 1 | 1 | 1 | 1 | 1 | 1 | 1 |
| 48 | 52004-007 | DRIP PAN | 1 | 1 | 1 | 1 | 1 | 1 | 1 | 1 | 1 | 1 | 1 | 1 |
| 49 | 51009-007 | GREASE PAN | 1 | 1 | 1 | 1 | 1 | 1 | 1 | 1 | 1 | 1 | 1 | 1 |
| 50 | 52059-101 | GREASE RAIL | 1 | 1 | 1 | 1 | 1 | 1 | 1 | 1 | 1 | 1 | 1 | 1 |
| 51 | 52009-104 | FLAV-R-WAVE® | 4 | 4 | 4 | 4 | 4 | 4 | 4 | 4 | 4 | 4 | 4 | 4 |
| 52 | 52349-004 | GREASE SHIELD | 1 | 1 | 1 | 1 | 1 | 1 | 1 | 1 | 1 | 1 | 1 | 1 |
| 53 | 52249-004 | GREASE SHIELD | 2 | 2 | 2 | 2 | 2 | 2 | 2 | 2 | 2 | 2 | 2 | 2 |
| 54 | 52049-004 | GREASE SHIELD | 1 | 1 | 1 | 1 | 1 | 1 | 1 | 1 | 1 | 1 | 1 | 1 |
| 56 | 24005-12A | HANDLE | 1 | 1 | 1 | 1 | 1 | 1 | 1 | 1 | 1 | 1 | 1 | 1 |
| 58 | 54009-936 | BEZEL | 2 | 2 | 2 | 2 | 2 | 2 | 2 | 2 | 2 | 2 | 2 | 2 |
| 59 | 10081-BK630 | NAMEPLATE | 1 | 1 | 1 | 1 | 1 | 1 | 1 | 1 | 1 | 1 | 1 | 1 |
| 60 | 10571-6 | HEAT INDICATOR | 1 | 1 | 1 | 1 | 1 | 1 | 1 | 1 | 1 | 1 | 1 | 1 |
| 65 | 20005-000 | MATCH LIGHT - STICK | 1 | 1 | 1 | 1 | 1 | 1 | 1 | 1 | 1 | 1 | 1 | 1 |
| 68 | 51275-111A | DOOR | 1 | 1 | 1 | 1 | 1 | 1 | • | • | • | • | • | • |
| | 51275-114A | DOOR | • | • | • | • | • | • | 1 | 1 | 1 | 1 | 1 | 1 |
| 69 | 51275-131A | DOOR | 1 | 1 | 1 | 1 | 1 | 1 | • | • | • | • | • | • |
| | 51275-134A | DOOR | • | • | • | • | • | • | 1 | 1 | 1 | 1 | 1 | 1 |
| 70 | 21071-13 | HANDLE | 2 | 2 | 2 | 2 | 2 | 2 | 2 | 2 | 2 | 2 | 2 | 2 |
| 71 | 21070-13 | BEZEL | 4 | 4 | 4 | 4 | 4 | 4 | 4 | 4 | 4 | 4 | 4 | 4 |
| 78 | 56039-214 | MAGNET BRACKET | 1 | 1 | 1 | 1 | 1 | 1 | 1 | 1 | 1 | 1 | 1 | 1 |
| 80 | 51189-101 | SIDE PANEL | 2 | 2 | 2 | 2 | 2 | 2 | 2 | 2 | 2 | 2 | 2 | 2 |
| 81 | Y-11992 | SCREW 1/4-20 x 2 1/4 | 4 | 4 | 4 | 4 | 4 | 4 | 4 | 4 | 4 | 4 | 4 | 4 |
| 87 | Y-11793 | NUT 1/4-20 | 12 | 12 | 12 | 12 | 12 | 12 | 12 | 12 | 12 | 12 | 12 | 12 |
| 88 | 21305-921 | PANEL - REAR | 1 | 1 | 1 | 1 | 1 | 1 | 1 | 1 | 1 | 1 | 1 | 1 |
| 90 | 51625-131 | BASE | 1 | 1 | 1 | 1 | 1 | 1 | 1 | 1 | 1 | 1 | 1 | 1 |
| 99 | 32001-151 | CASTOR BRACKET CAP | 4 | 4 | 4 | 4 | 4 | 4 | 4 | 4 | 4 | 4 | 4 | 4 |
| 100 | 51639-108 | CASTOR BRACKET | 2 | 2 | 2 | 2 | 2 | 2 | 2 | 2 | 2 | 2 | 2 | 2 |
| 101 | 51039-101 | CASTOR BRACKET SUPPORT | 1 | 1 | 1 | 1 | 1 | 1 | 1 | 1 | 1 | 1 | 1 | 1 |
| 102 | 10892-286 | CASTOR | 4 | 4 | 4 | 4 | 4 | 4 | 4 | 4 | 4 | 4 | 4 | 4 |
| 103 | 21009-951 | TANK BRACKET | 1 | 1 | 1 | 1 | 1 | 1 | 1 | 1 | 1 | 1 | 1 | 1 |
| 107 | Y-12853 | WASHER | 12 | 12 | 12 | 12 | 12 | 12 | 12 | 12 | 12 | 12 | 12 | 12 |
| 113 | 10342-T14 | SIDE BURNER ELECTRODE | 1 | 1 | 1 | 1 | 1 | 1 | 1 | 1 | 1 | 1 | 1 | 1 |
| 114 | 53109-111 | SHELF - RIGHT | 1 | 1 | 1 | 1 | 1 | 1 | 1 | 1 | 1 | 1 | 1 | 1 |
| 115 | 53109-111 | SHELF - LEFT | 1 | 1 | • | • | • | • | 1 | 1 | • | • | • | • |
| | 53109-151 | SHELF - SB - LEFT | • | • | 1 | 1 | 1 | 1 | • | • | 1 | 1 | 1 | 1 |
| 123 | Y-12117 | BUSHING | • | • | 2 | 2 | 2 | 2 | • | • | 2 | 2 | 2 | 2 |
| 124 | 53004-271 | SIDE BURNER BODY | • | • | 1 | 1 | 1 | 1 | • | • | 1 | 1 | 1 | 1 |
| 125 | 53000-251 | SIDE BURNER COVER | • | • | 1 | 1 | 1 | 1 | • | • | 1 | 1 | 1 | 1 |
| 126 | 10390-E10D | SIDE BURNER | • | • | 1 | 1 | 1 | 1 | • | • | 1 | 1 | 1 | 1 |
| | 10390-E10E | SIDE BURNER | • | • | • | • | • | • | • | • | • | • | • | • |
| 127 | Y-12835 | SCREW #6-32 x 1/4 | • | • | 2 | 2 | 2 | 2 | • | • | 2 | 2 | 2 | 2 |
| 128 | 53009-951 | GRID | • | • | 1 | 1 | 1 | 1 | • | • | 1 | 1 | 1 | 1 |

